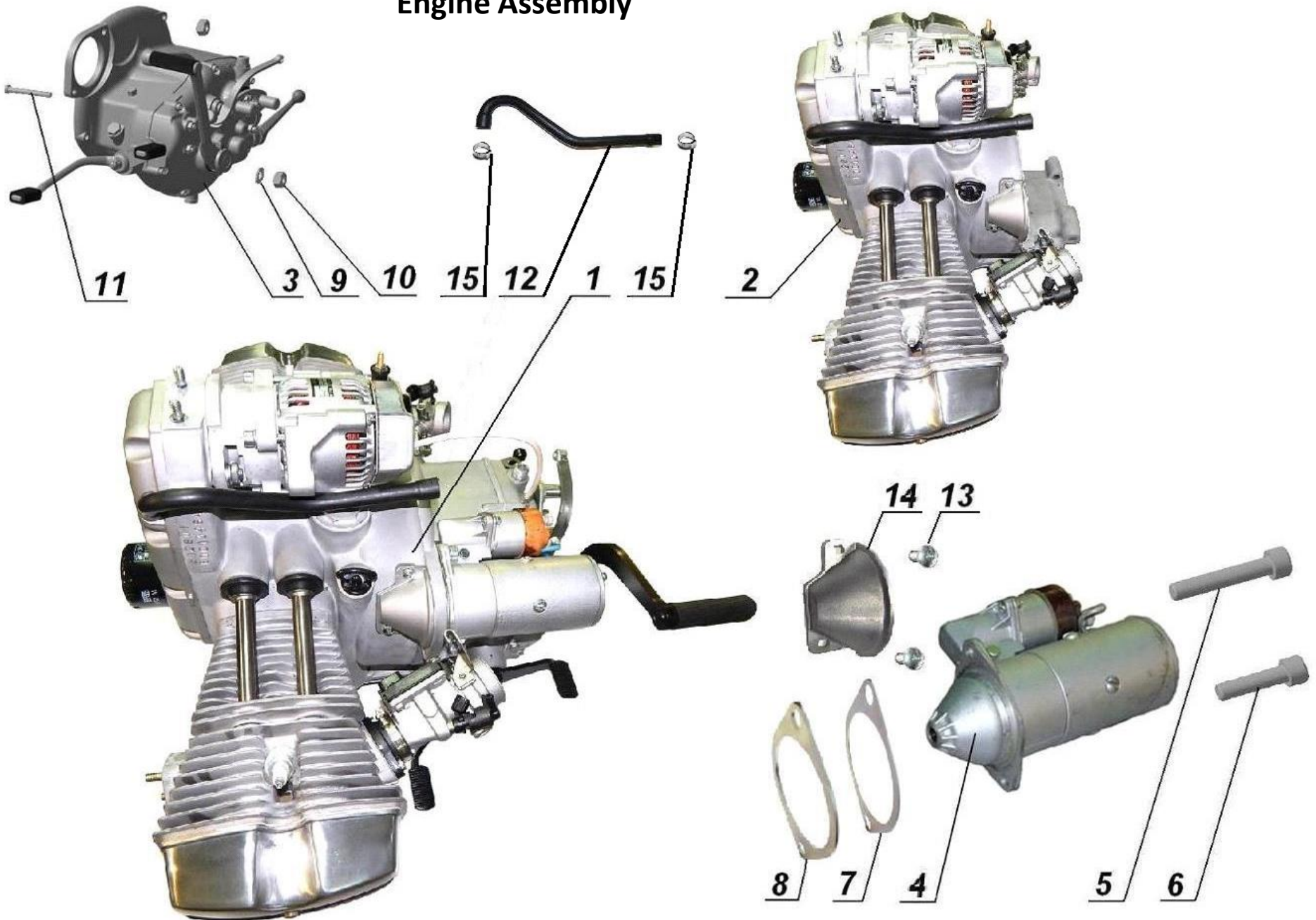
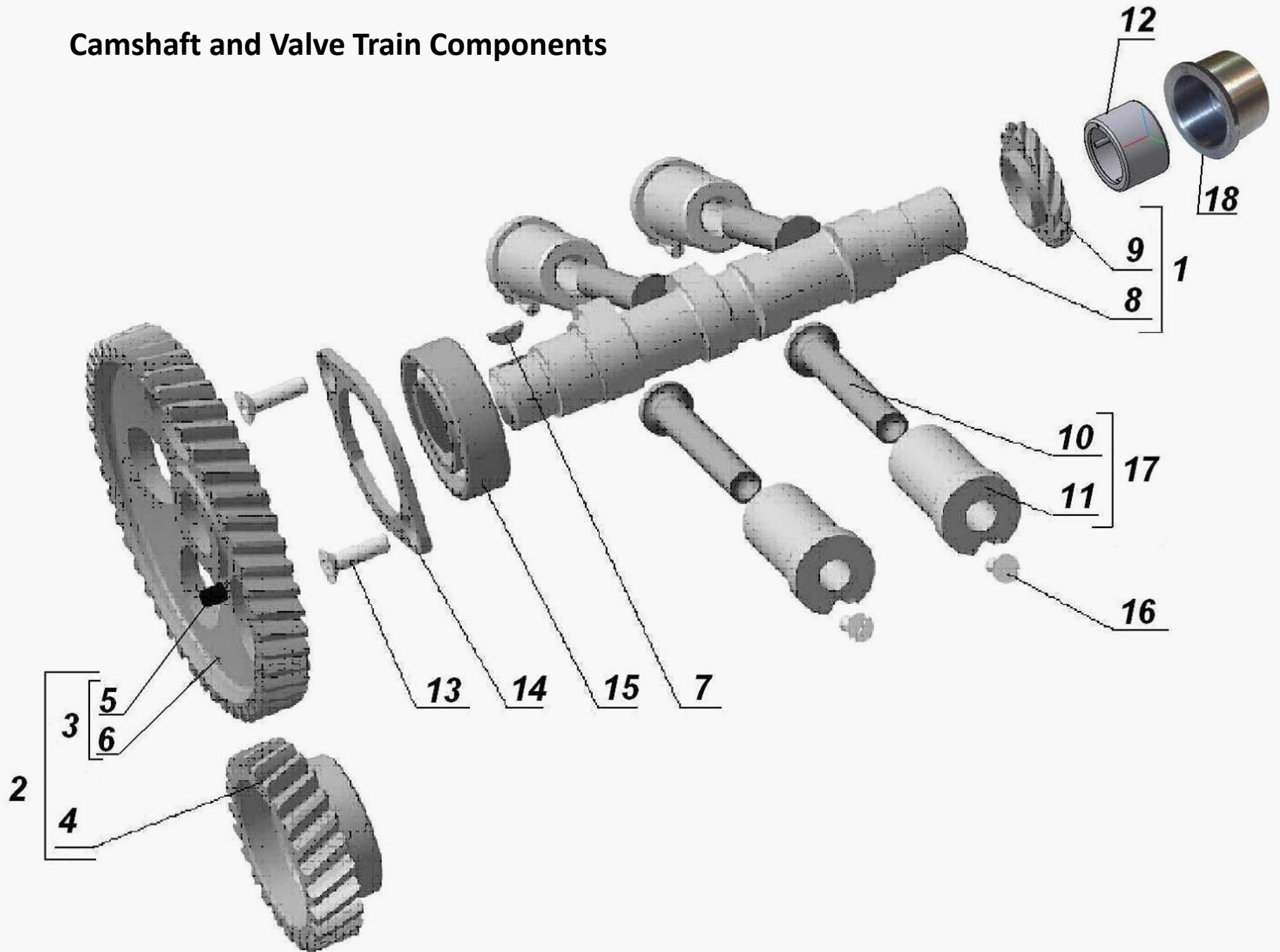


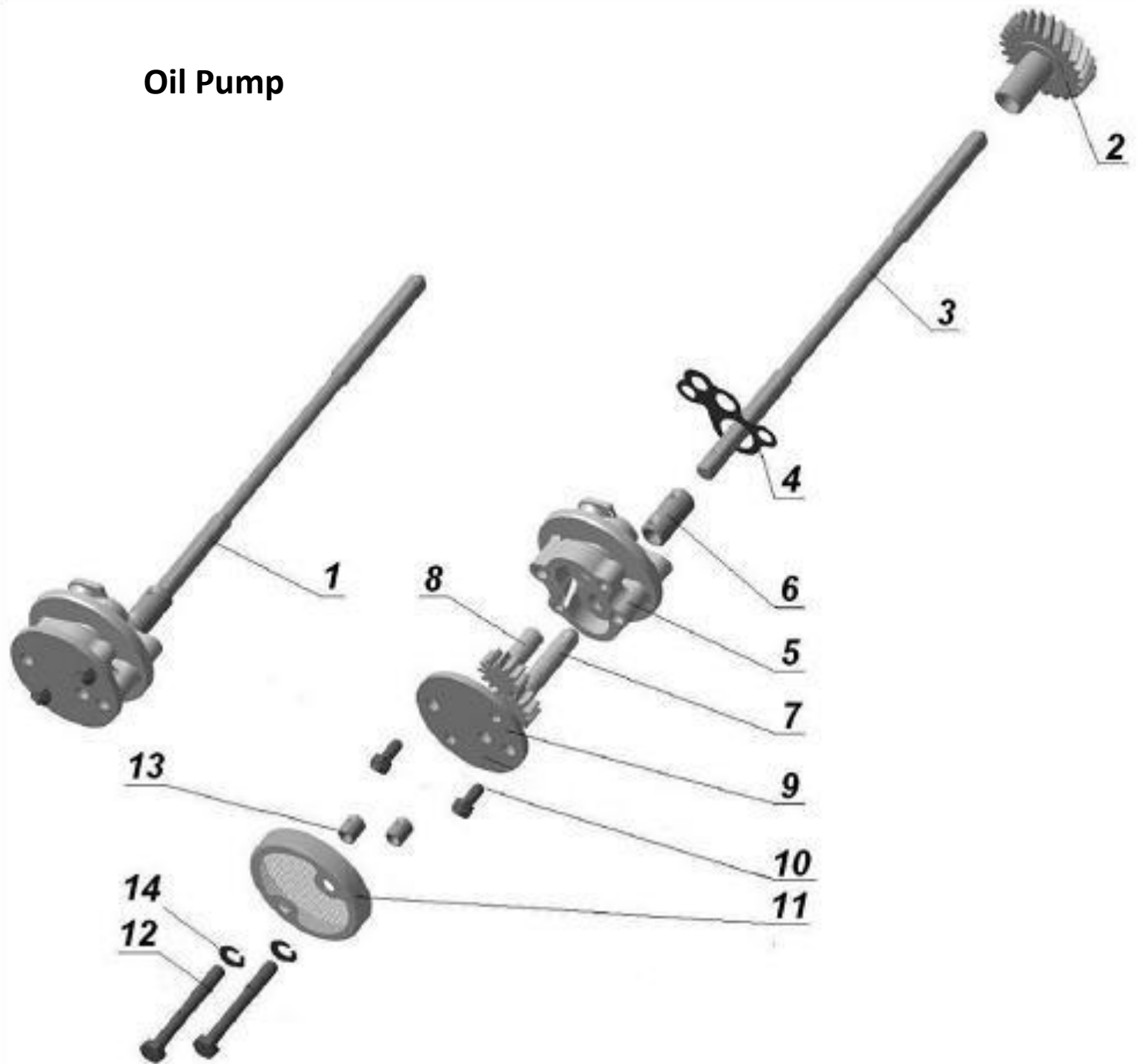
# Engine Assembly



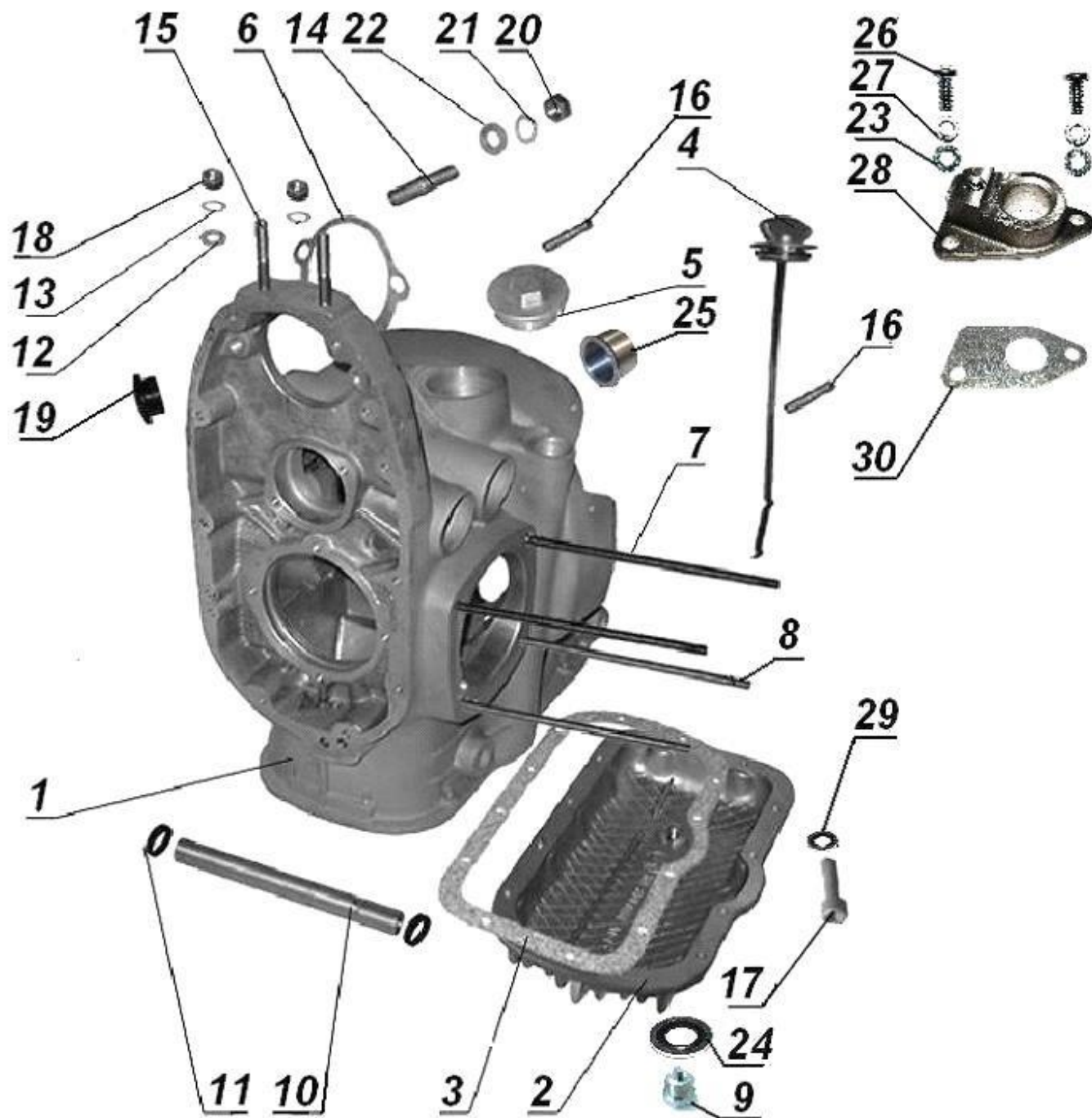
# Camshaft and Valve Train Components



# Oil Pump



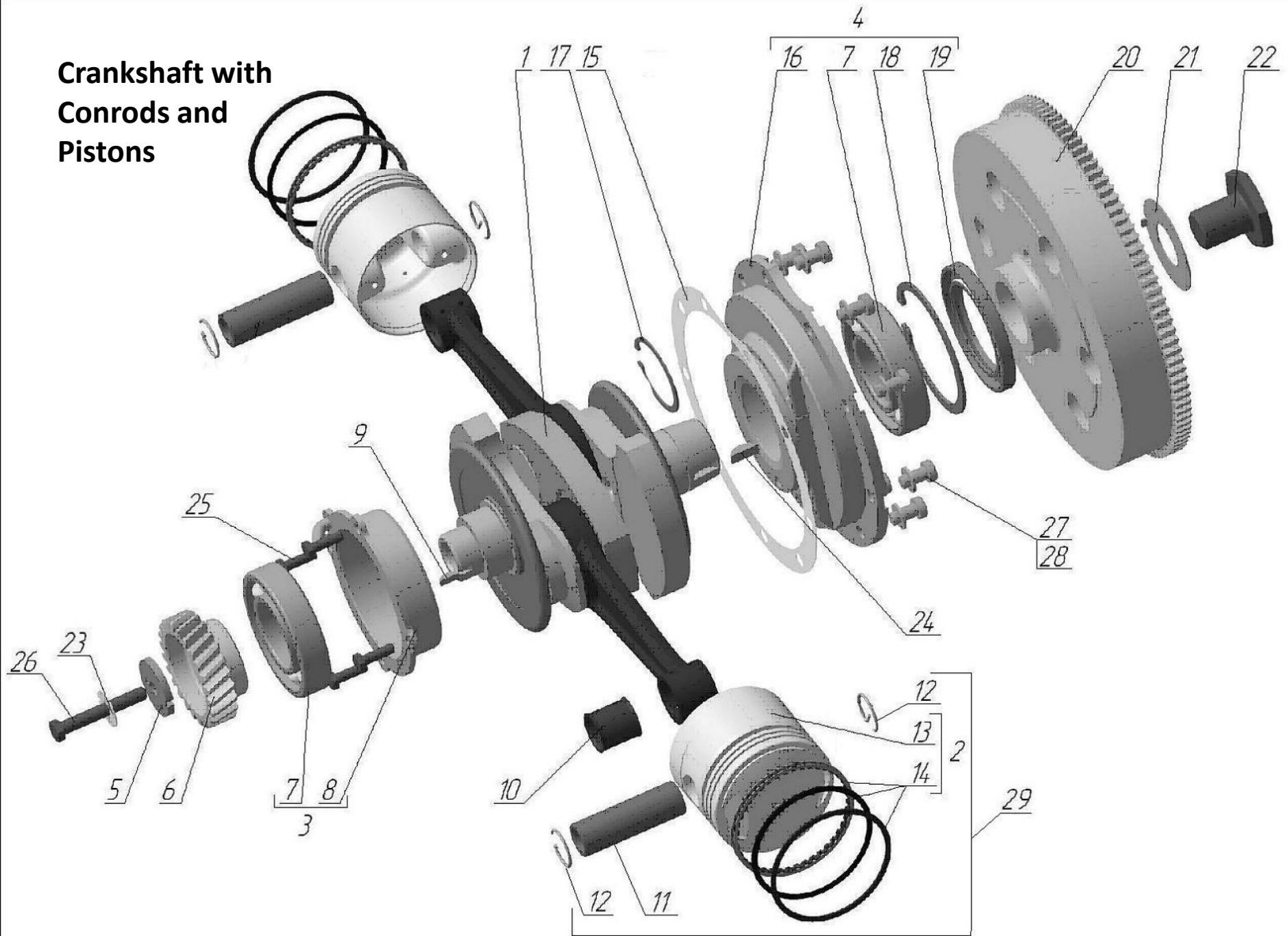
# Crankcase Oil Pan



# Crankcase Cover Oil Filter

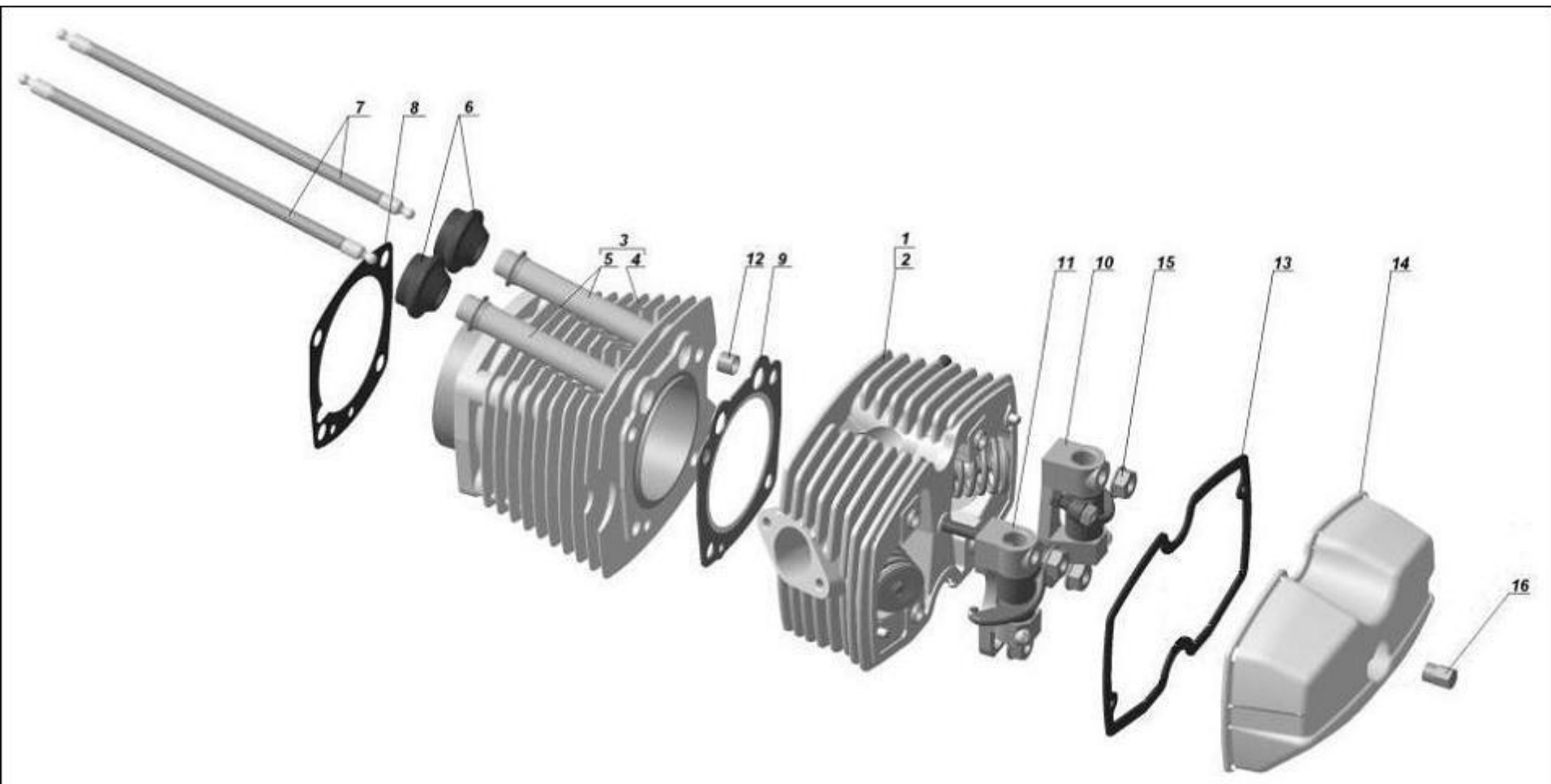


# Crankshaft with Conrods and Pistons

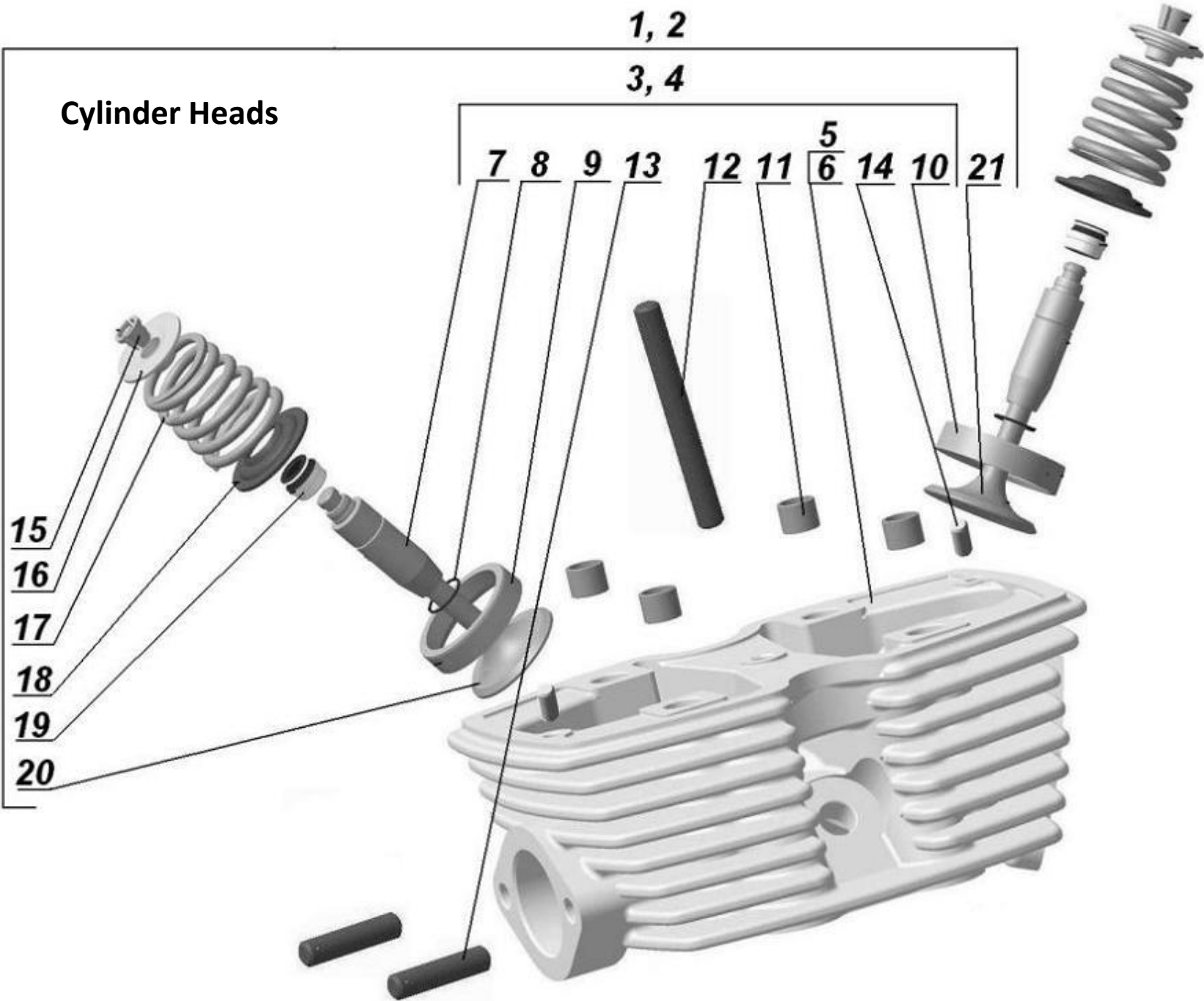


# Cylinders

## Cylinder Heads Assembly

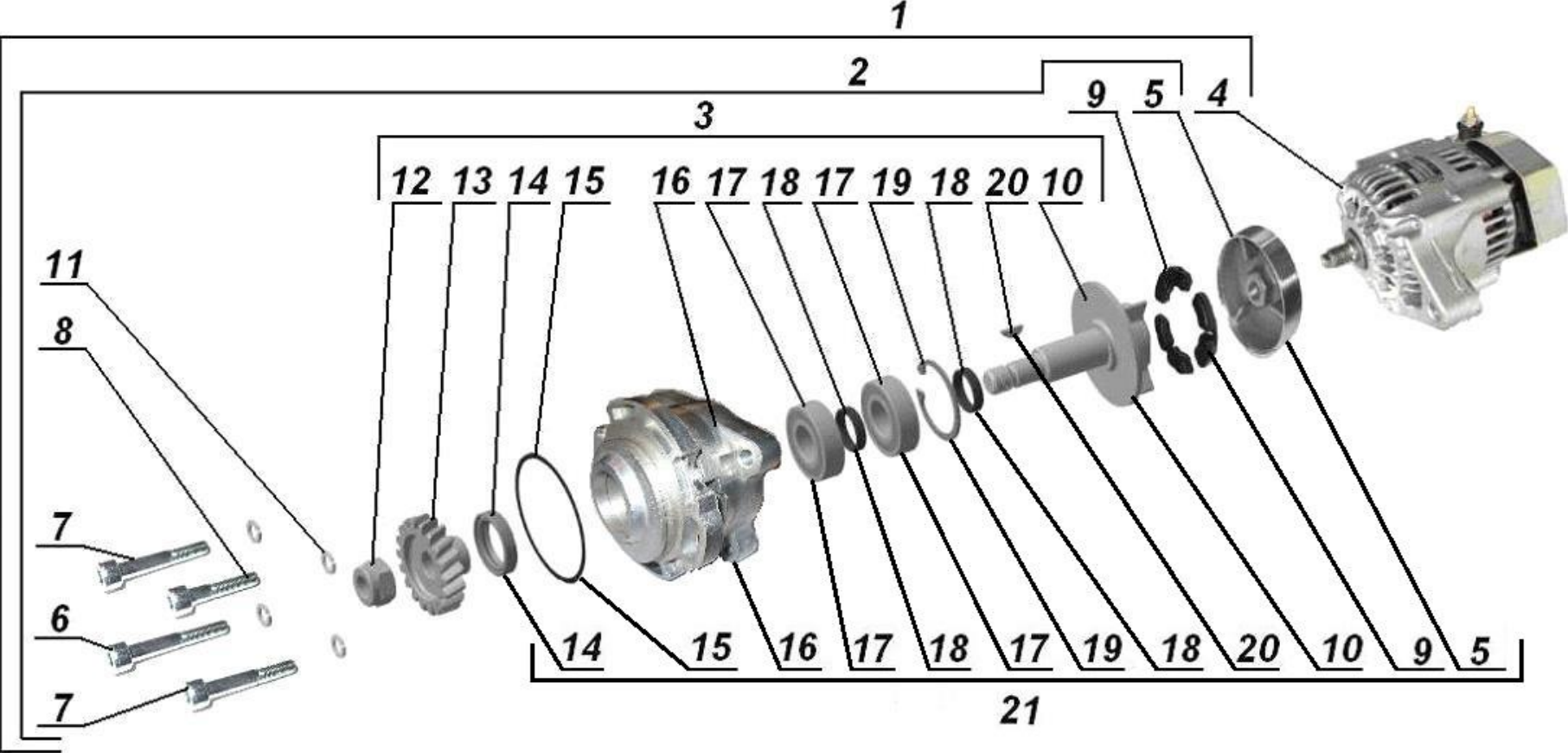


# Cylinder Heads

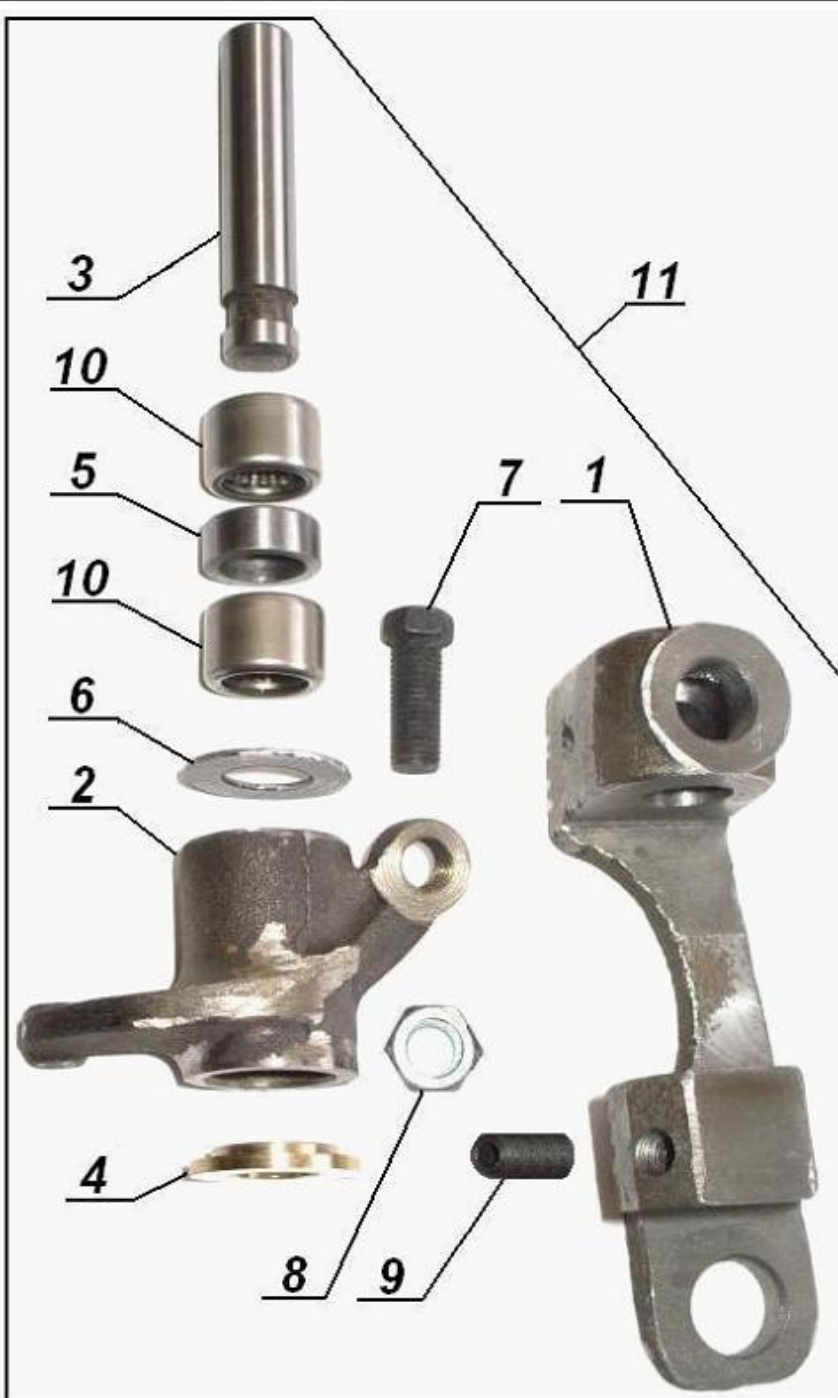




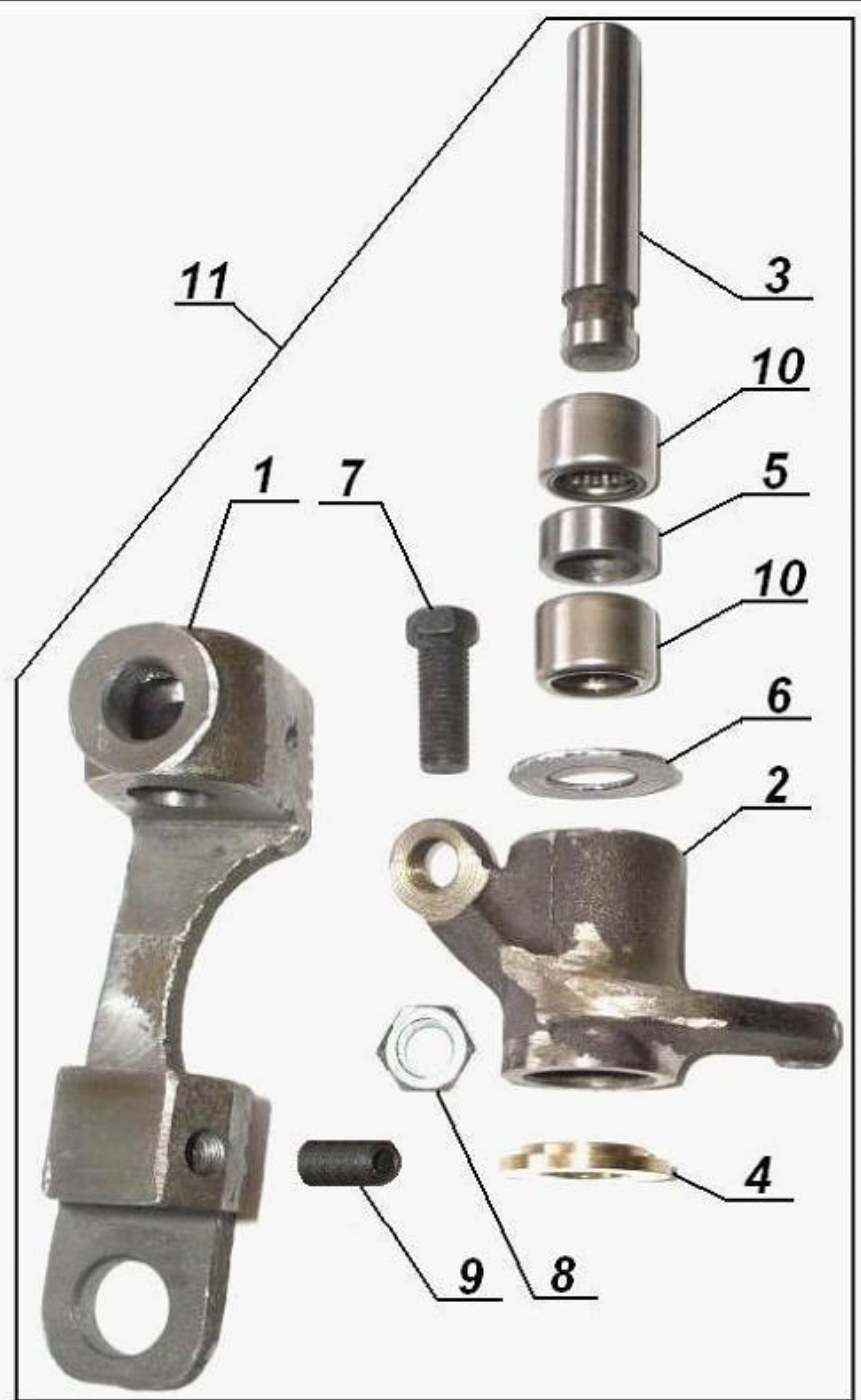
# Alternator



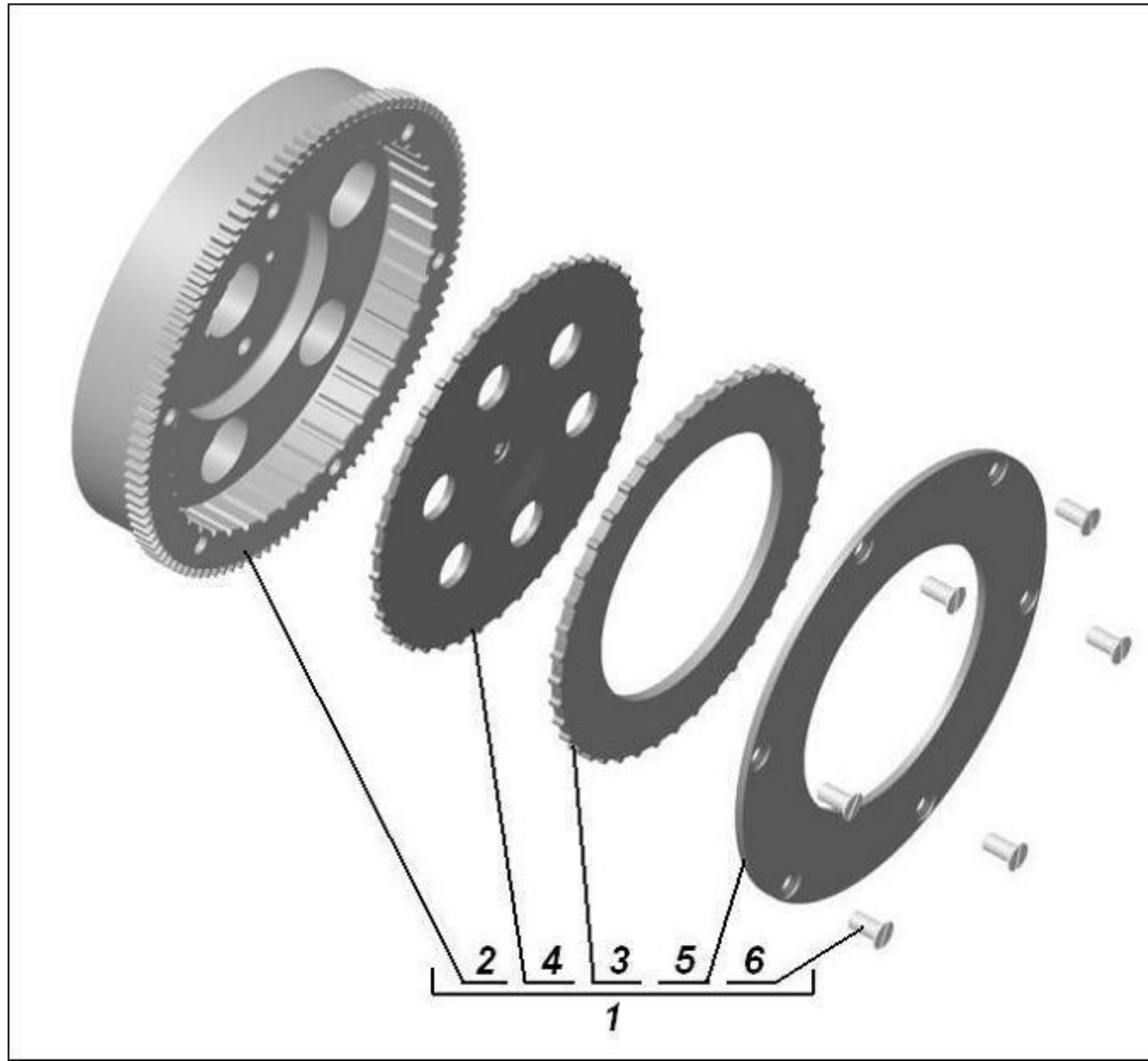
# LH Rocker Arm

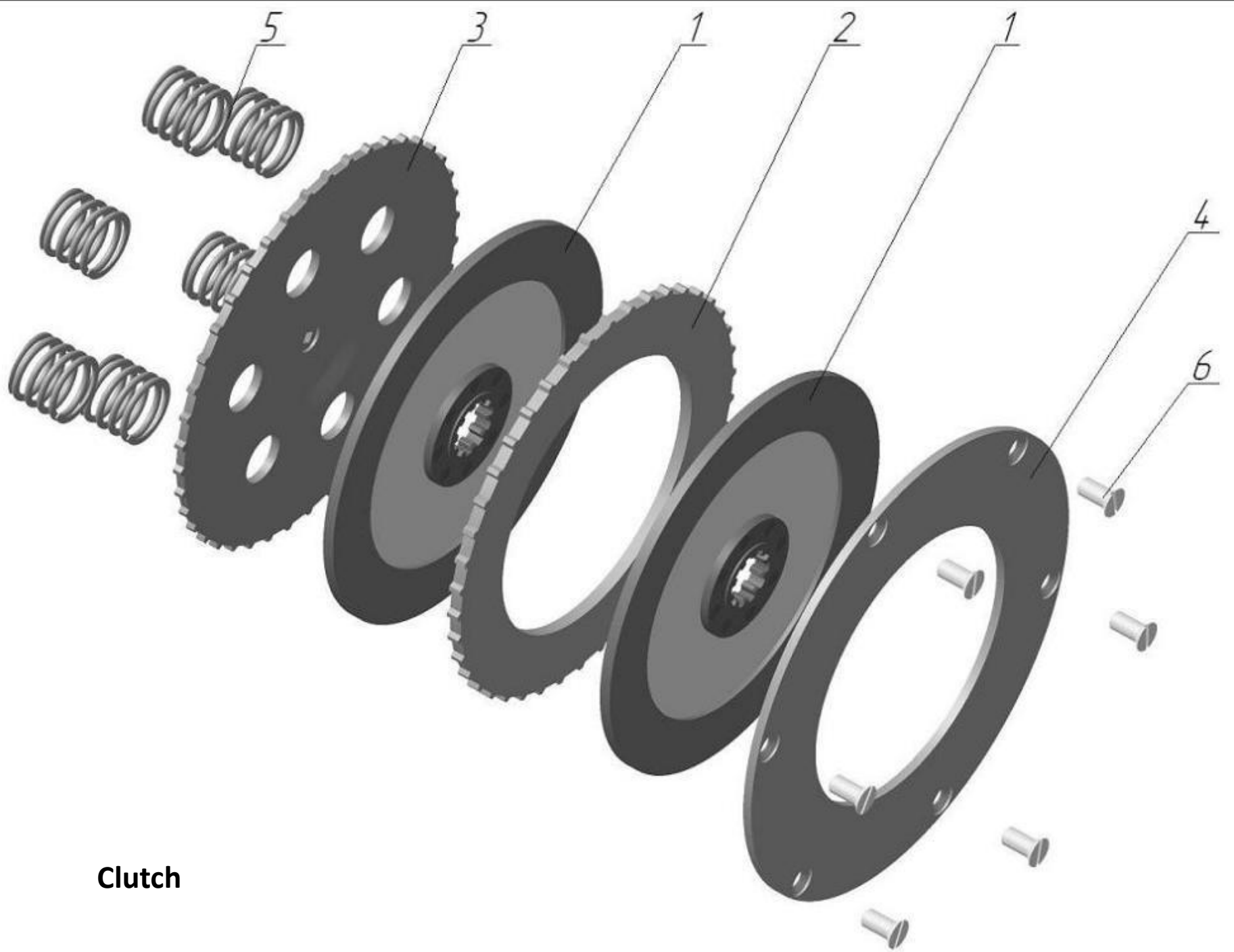


# RH Rocker Arm



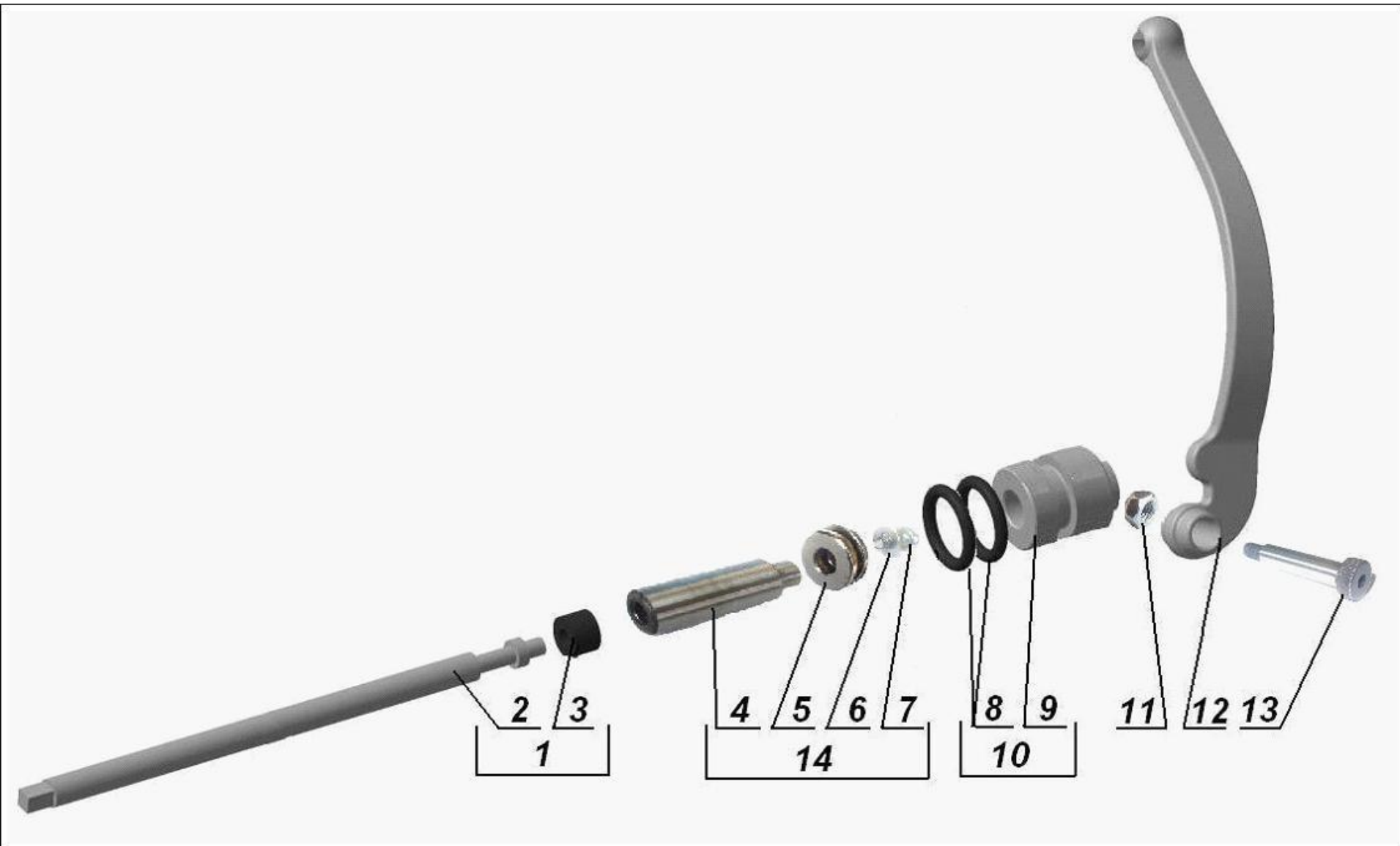
## Flywheel with the Clutch Disc

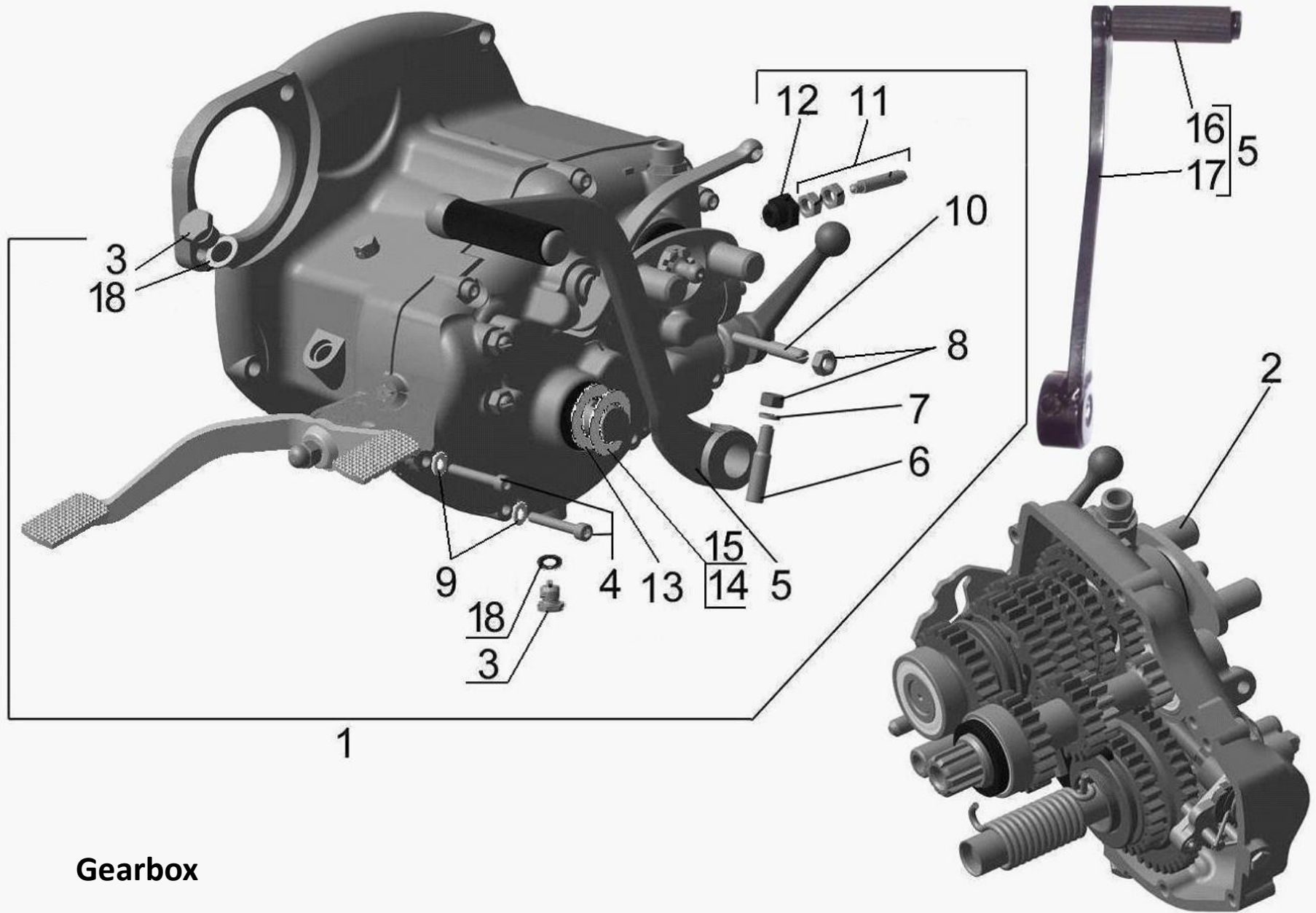




**Clutch**

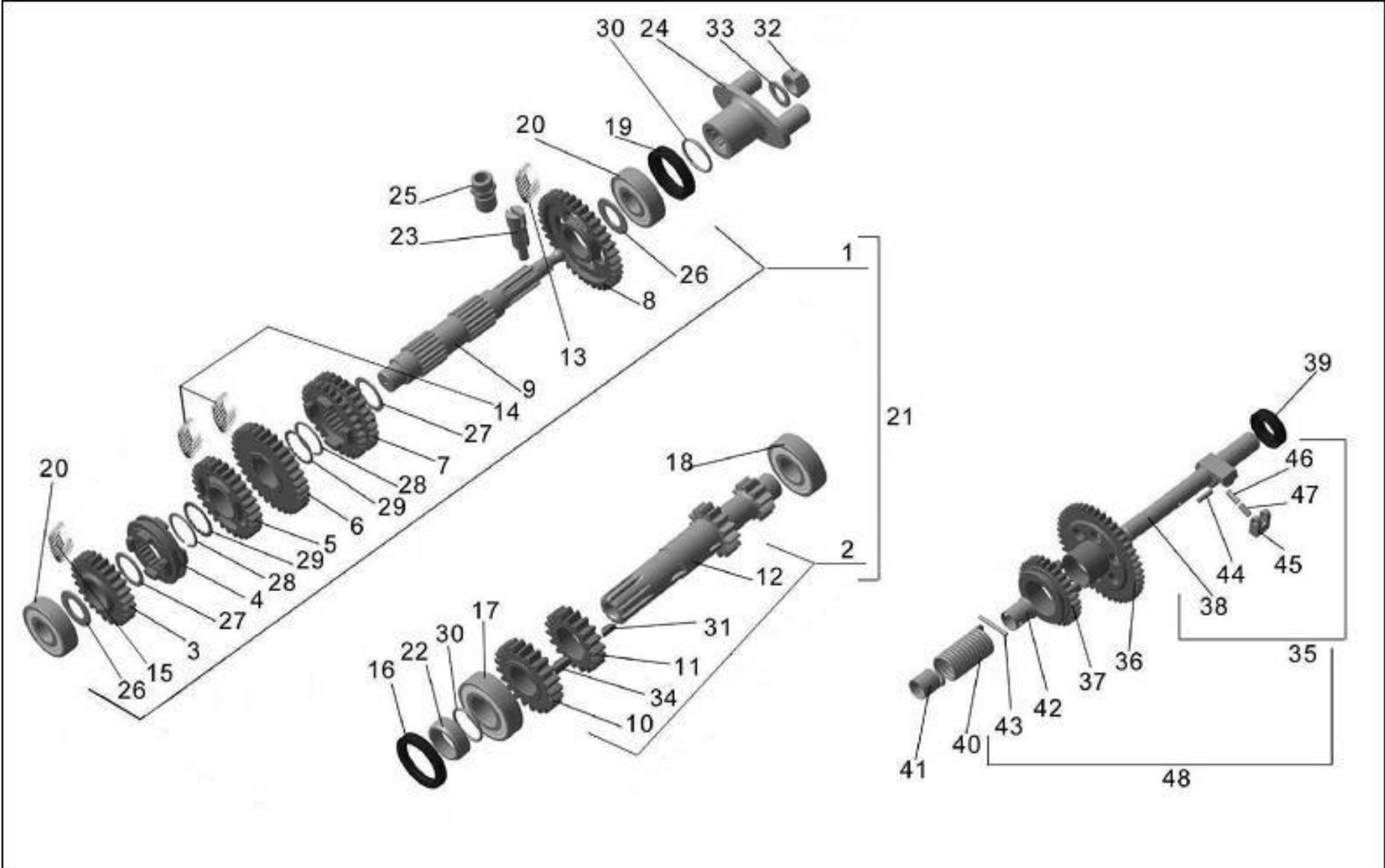
## Clutch Release Mechanism





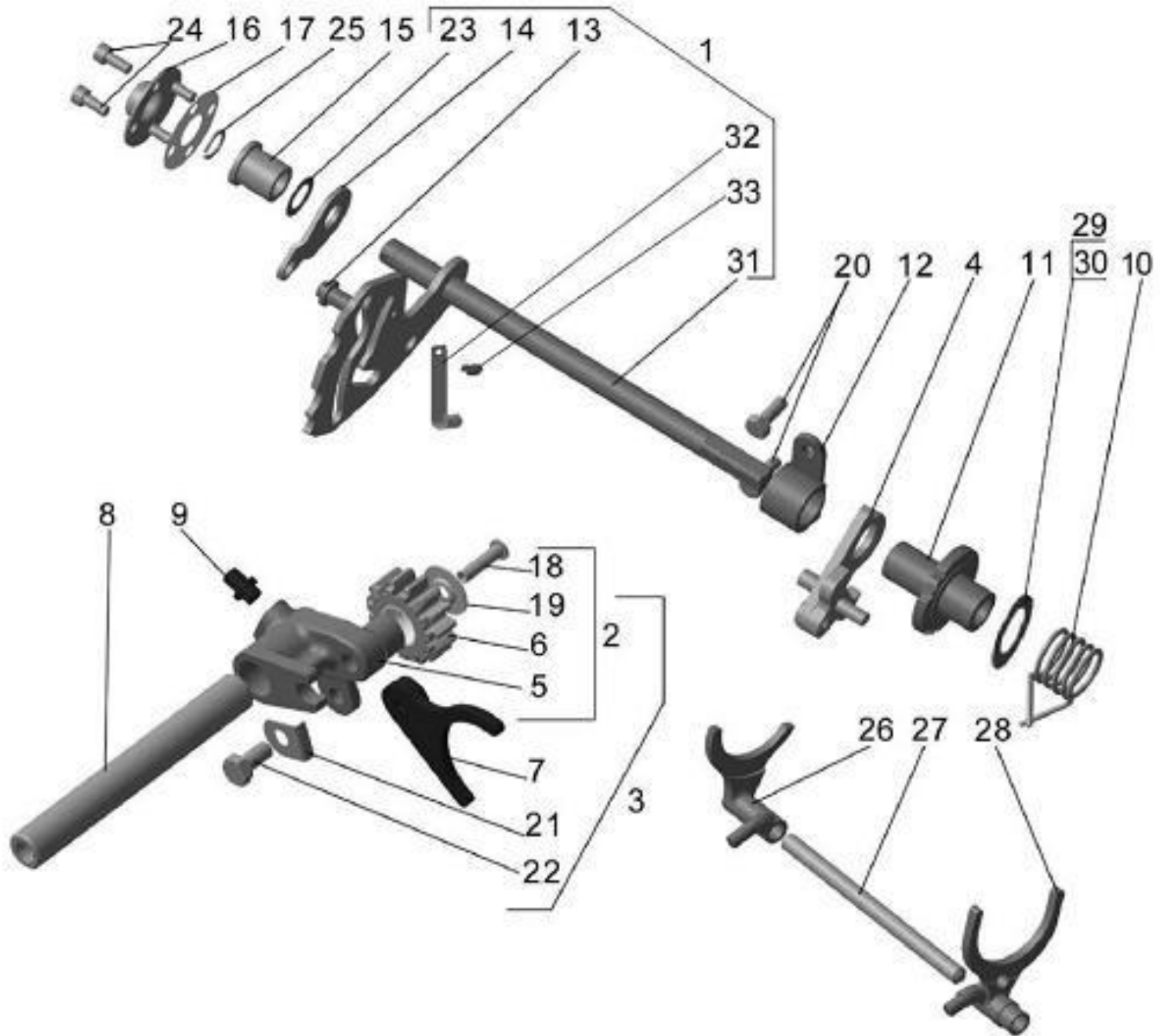
**Gearbox**

# Gearbox Shafts

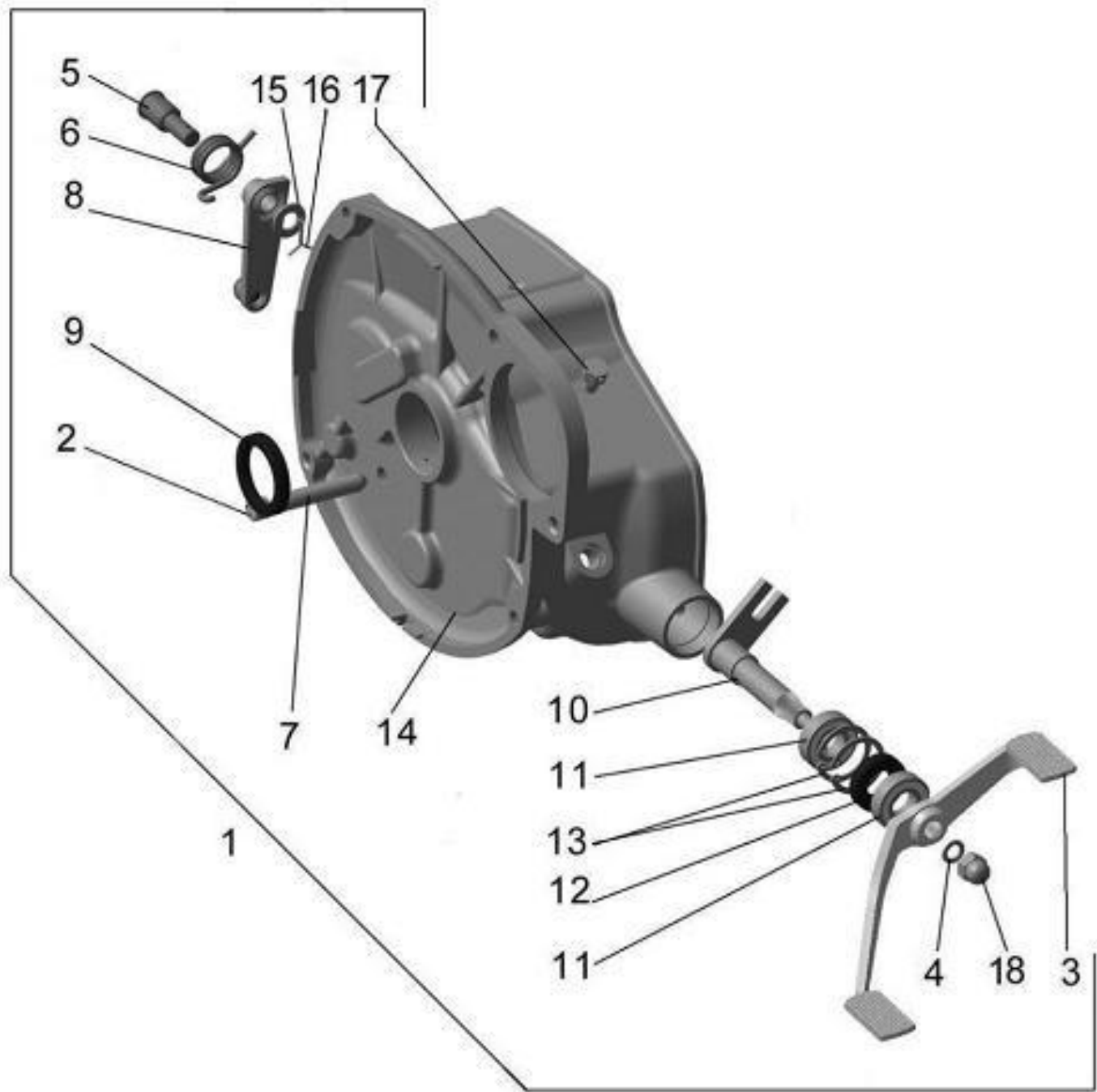




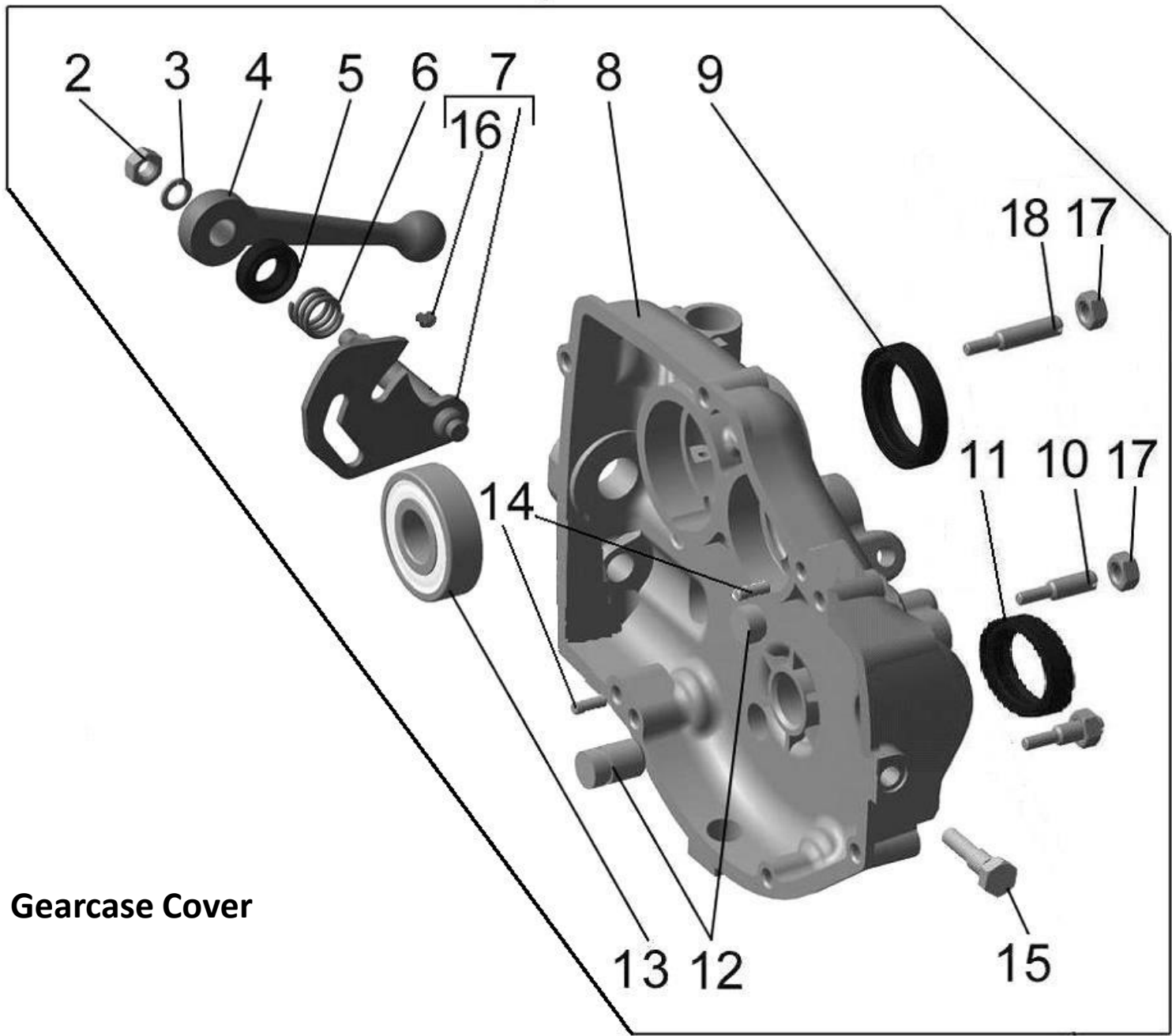
# Gearbox Shifter



**Gearbox  
Gearcase**

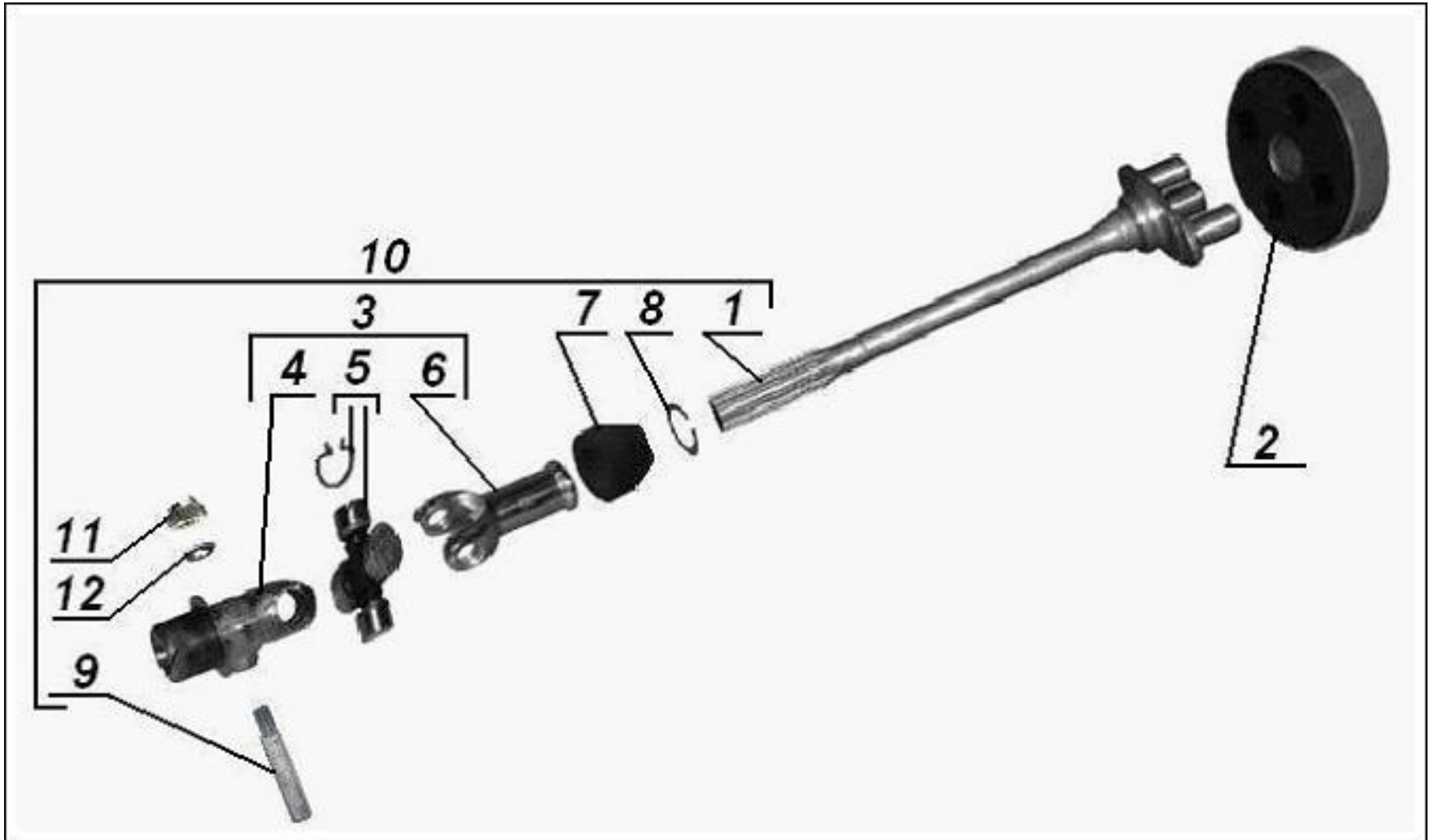


1

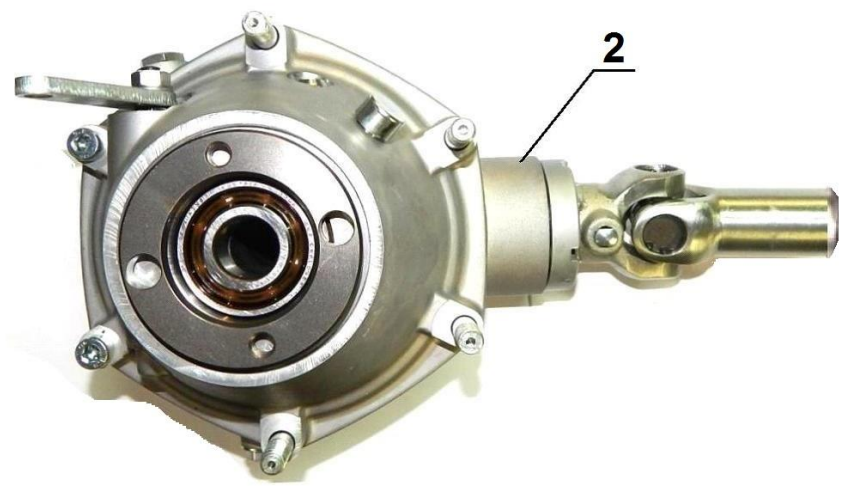


**Gearcase Cover**

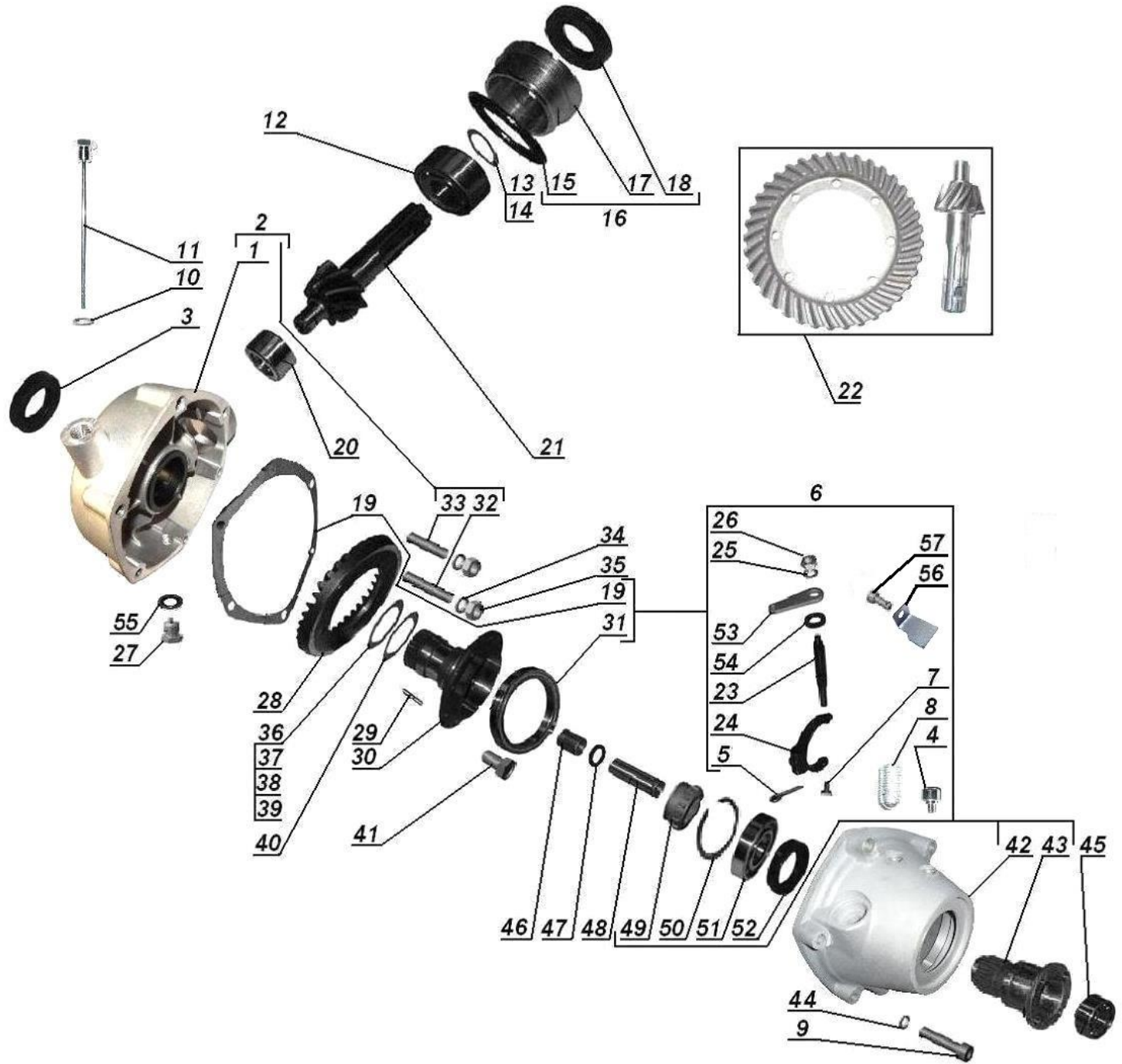
# Drive Shaft



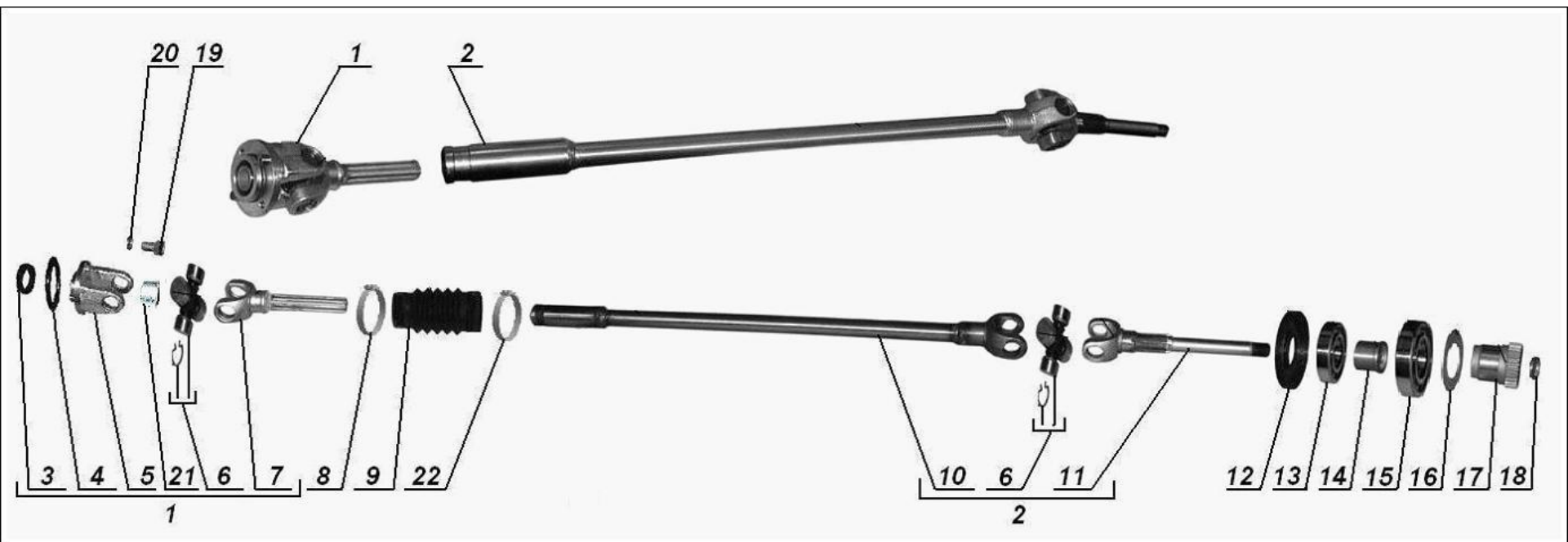
# Final Drive with Sidecar Drive Assembly



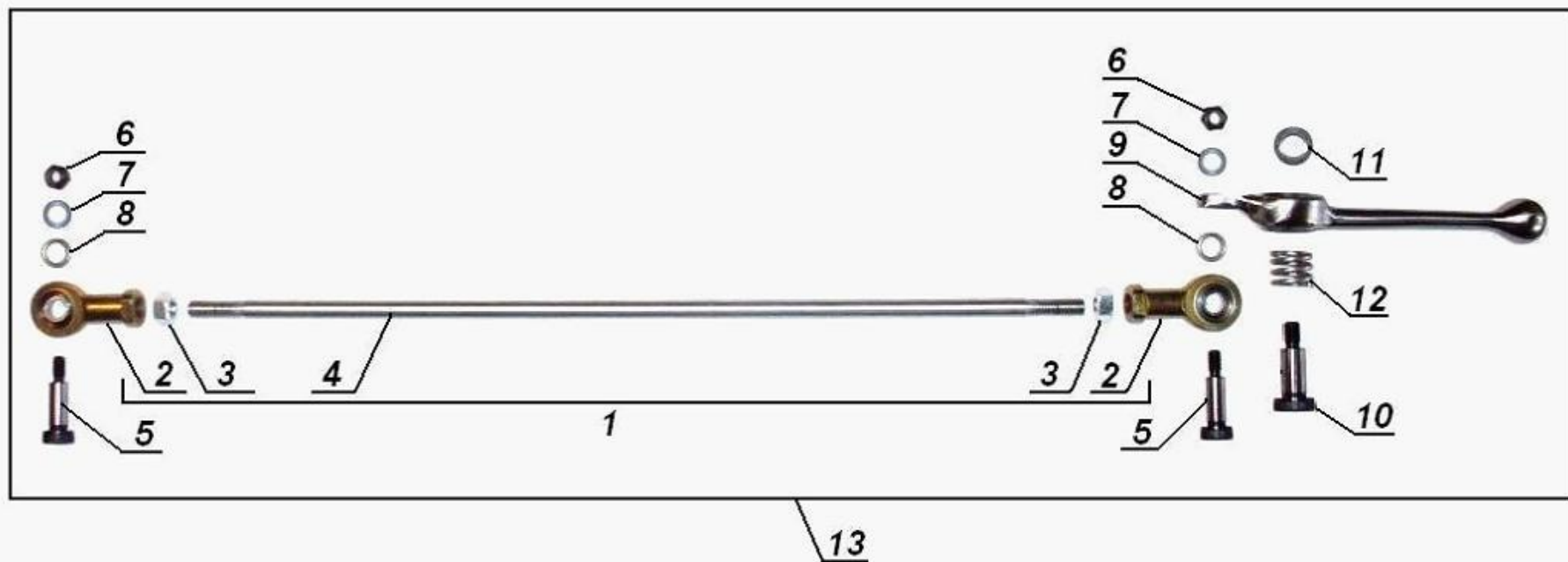
# Final Drive with Sidecar Drive



# Sidecar Drive Shaft



## 2wd Shifter



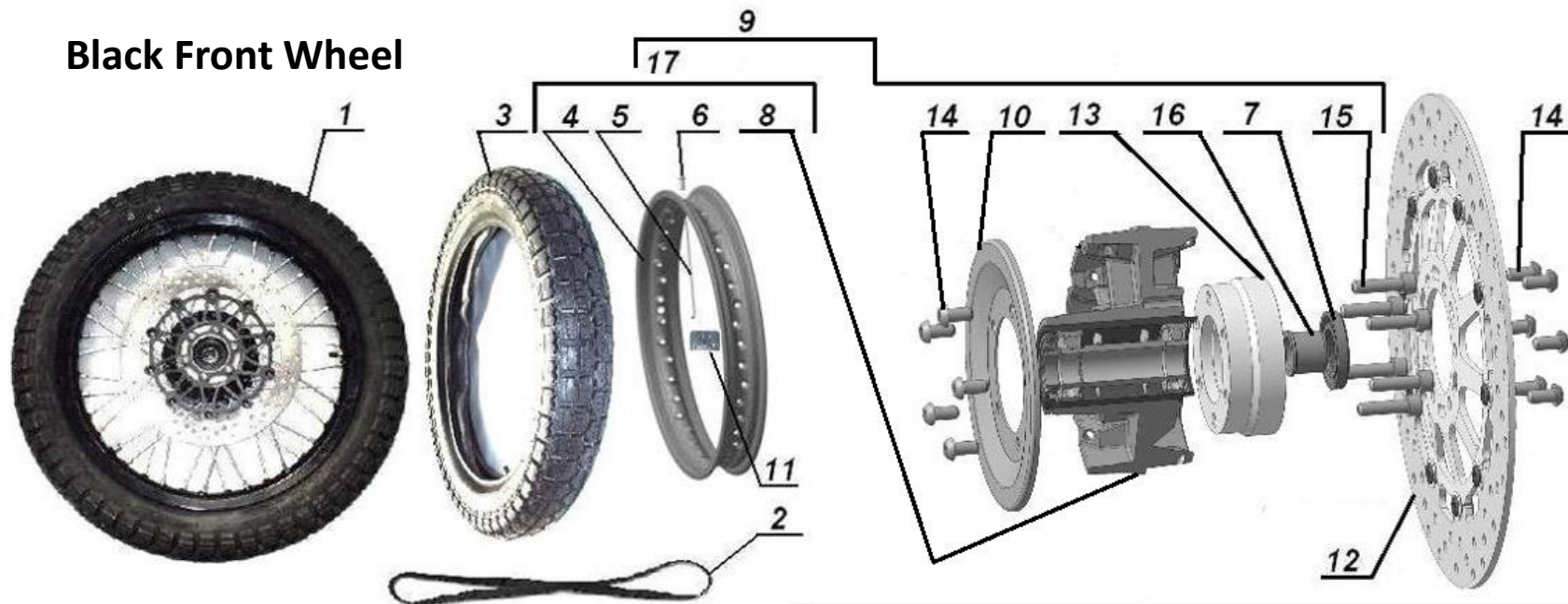


# Front Wheel

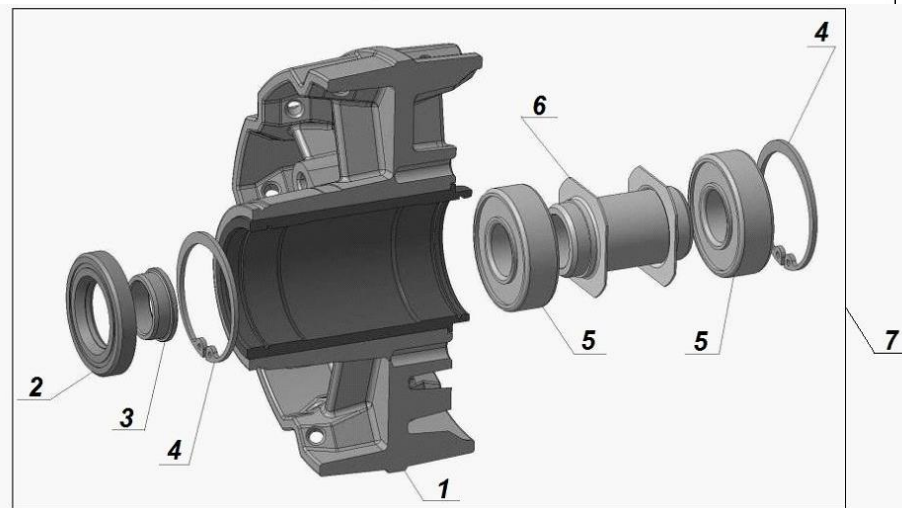
## Wheel Axle



## Black Front Wheel



## Black Hub

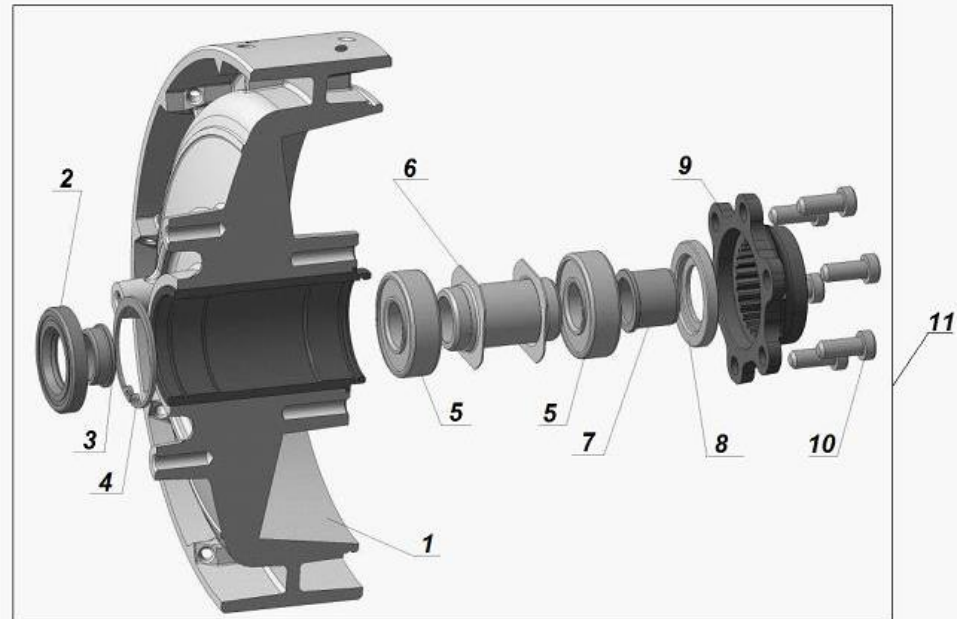
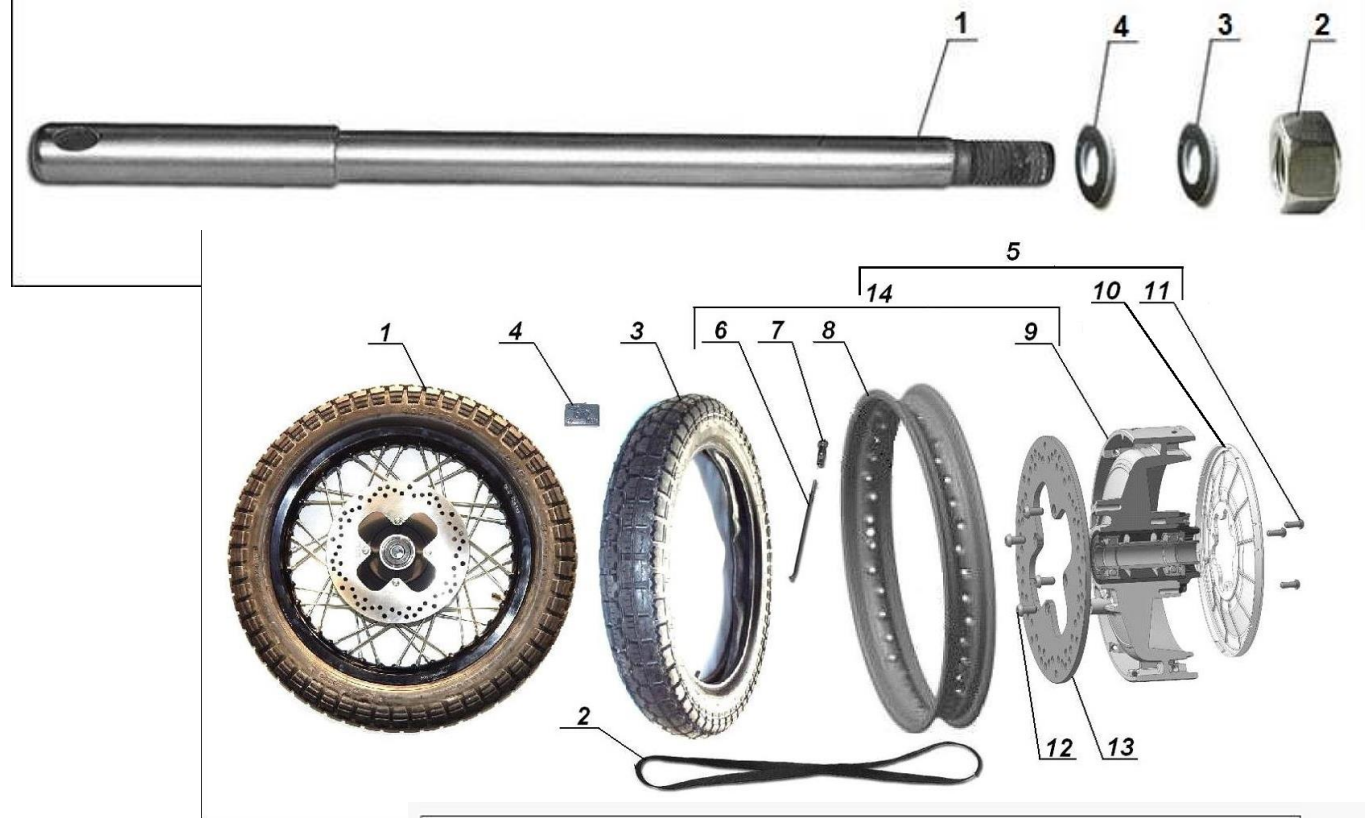


Rear Wheel

Wheel Axle

Black Rear Wheel

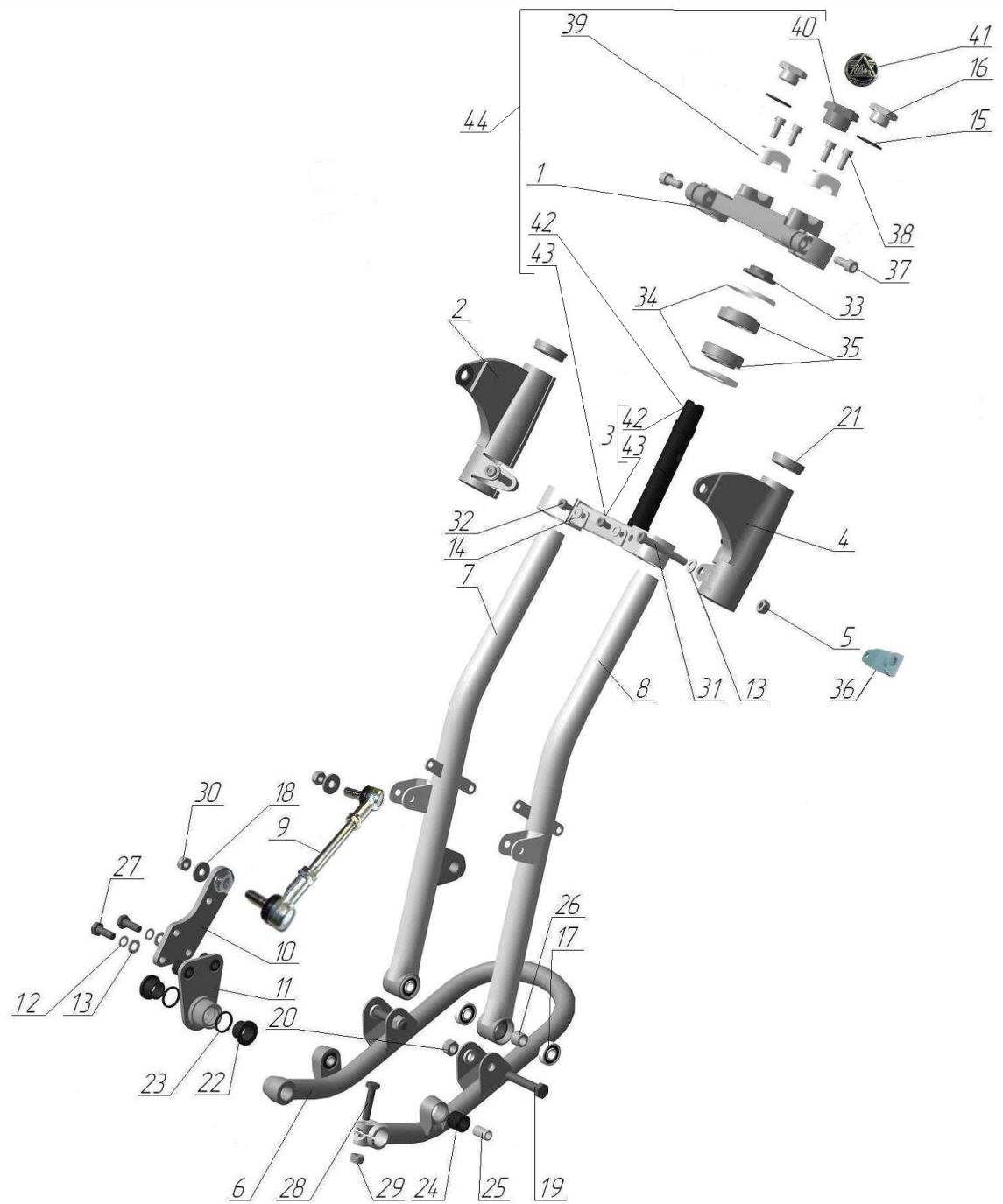
Black Hub



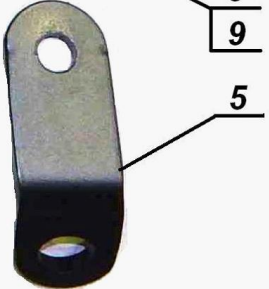
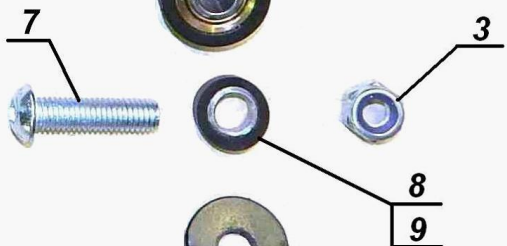
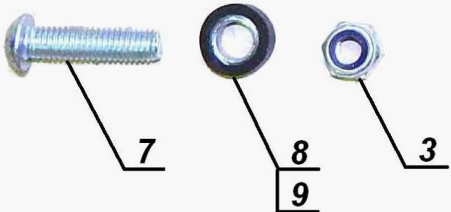
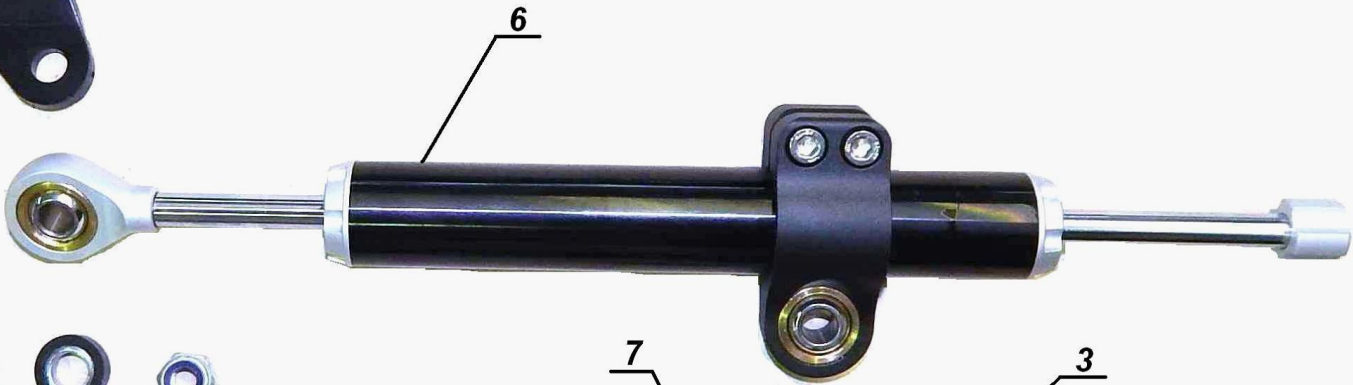
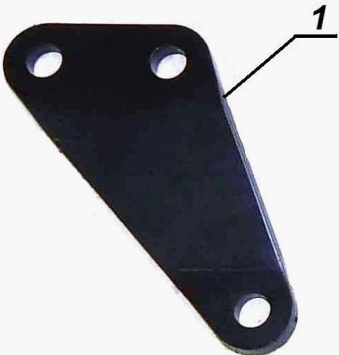
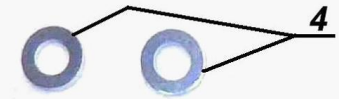
# Front Fork with Fender



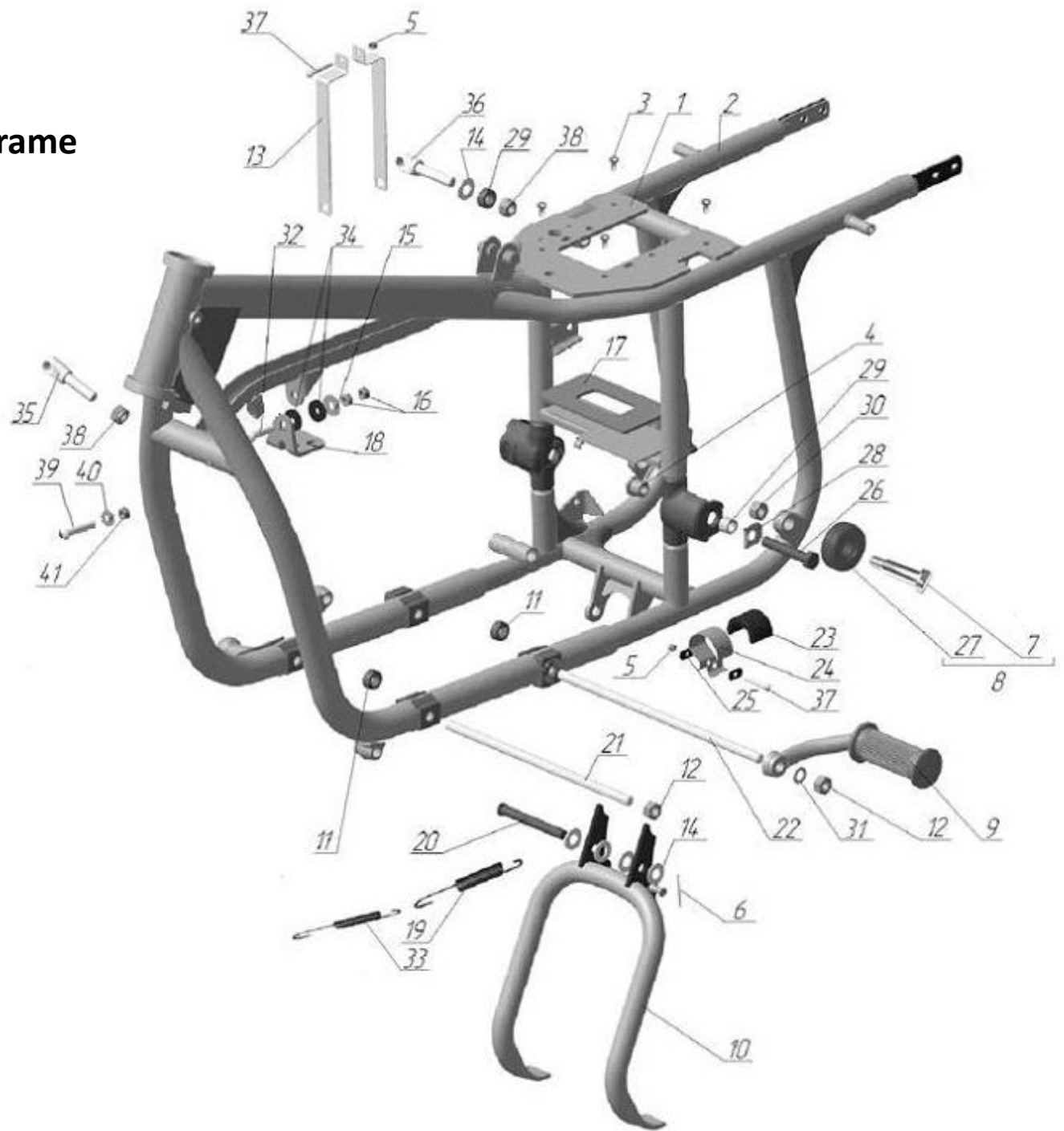
# Front Fork



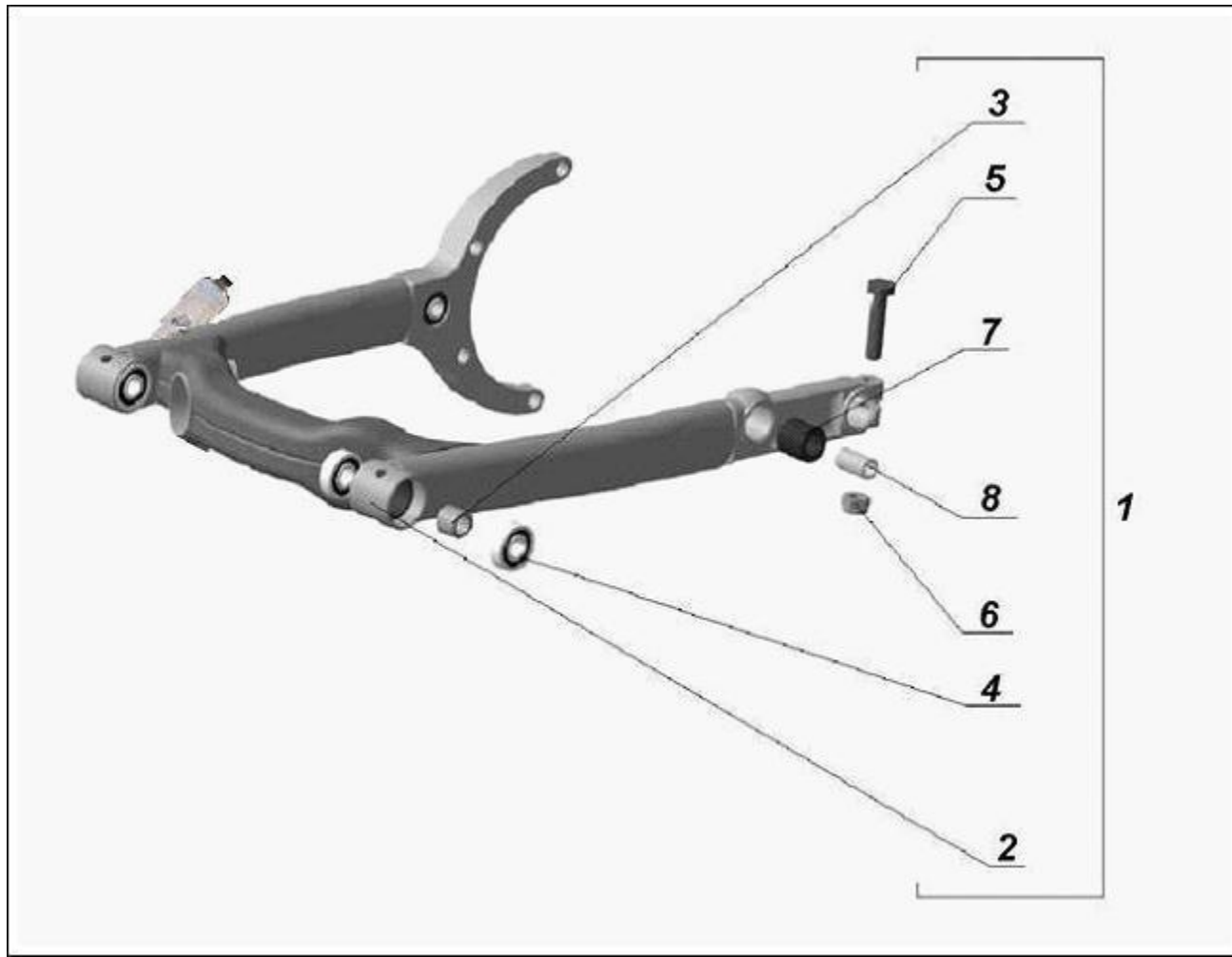
# Dampener



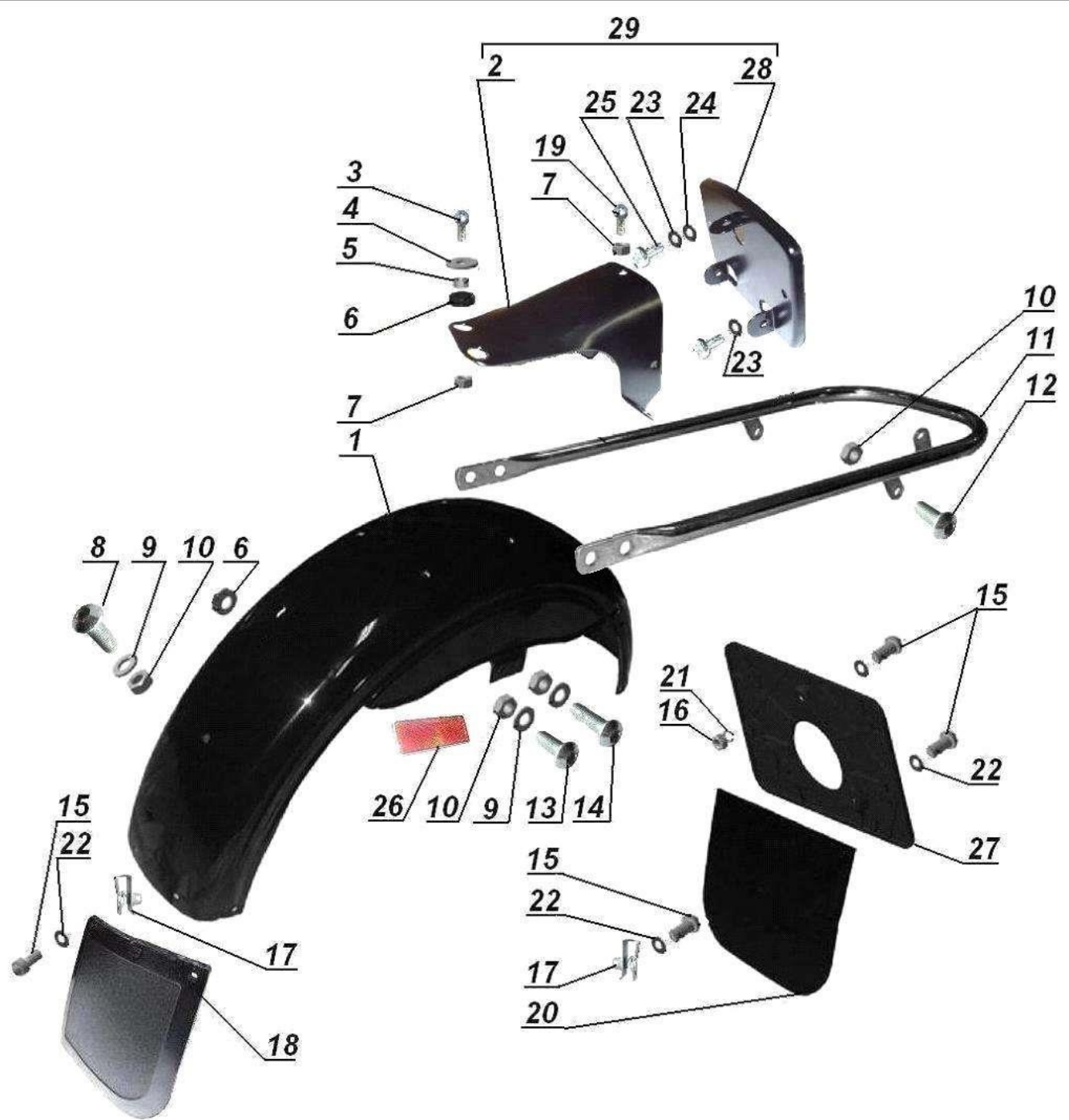
# Motorcycle Frame



## Rear Suspension Swing Arm

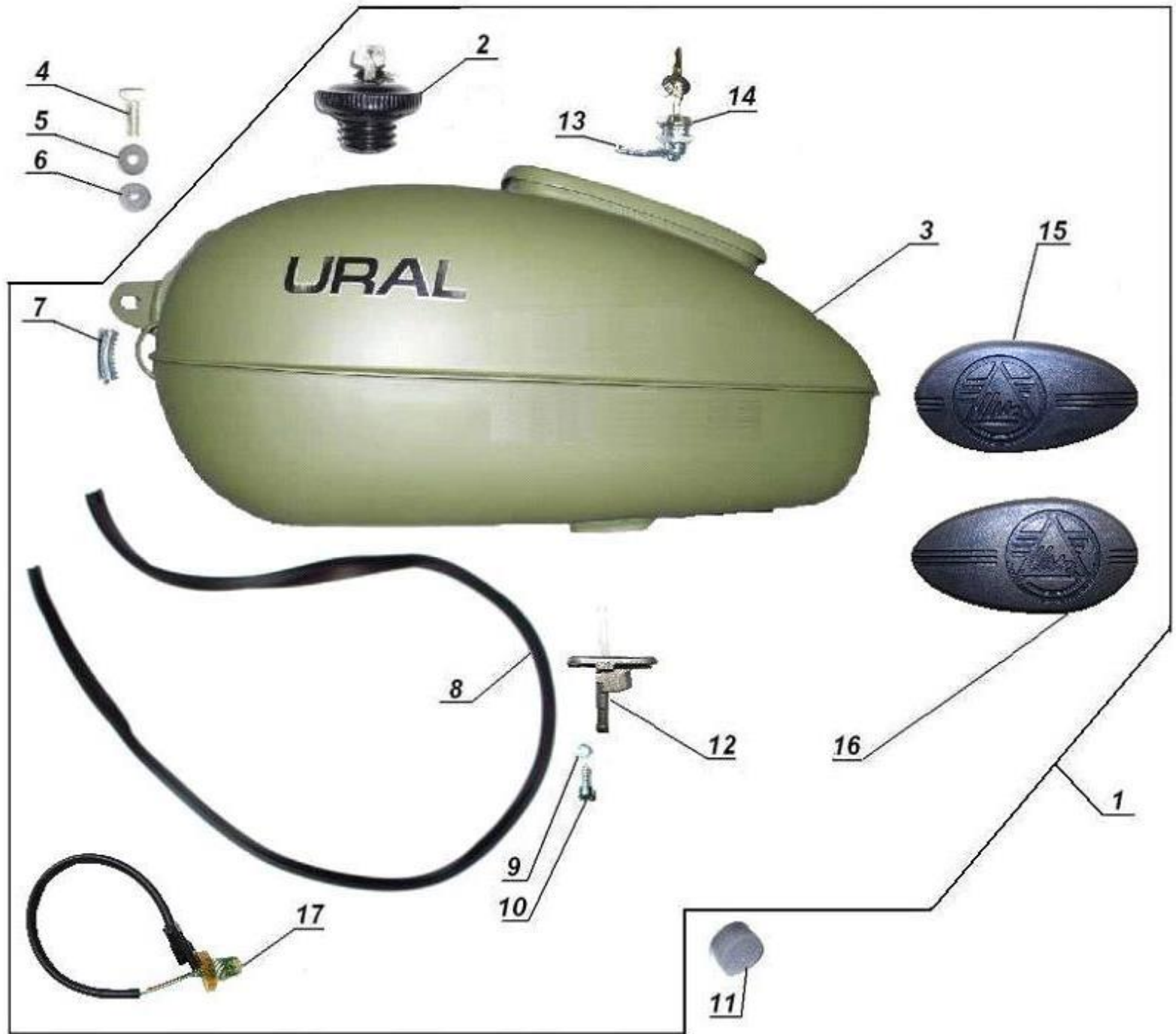


# Rear Fender

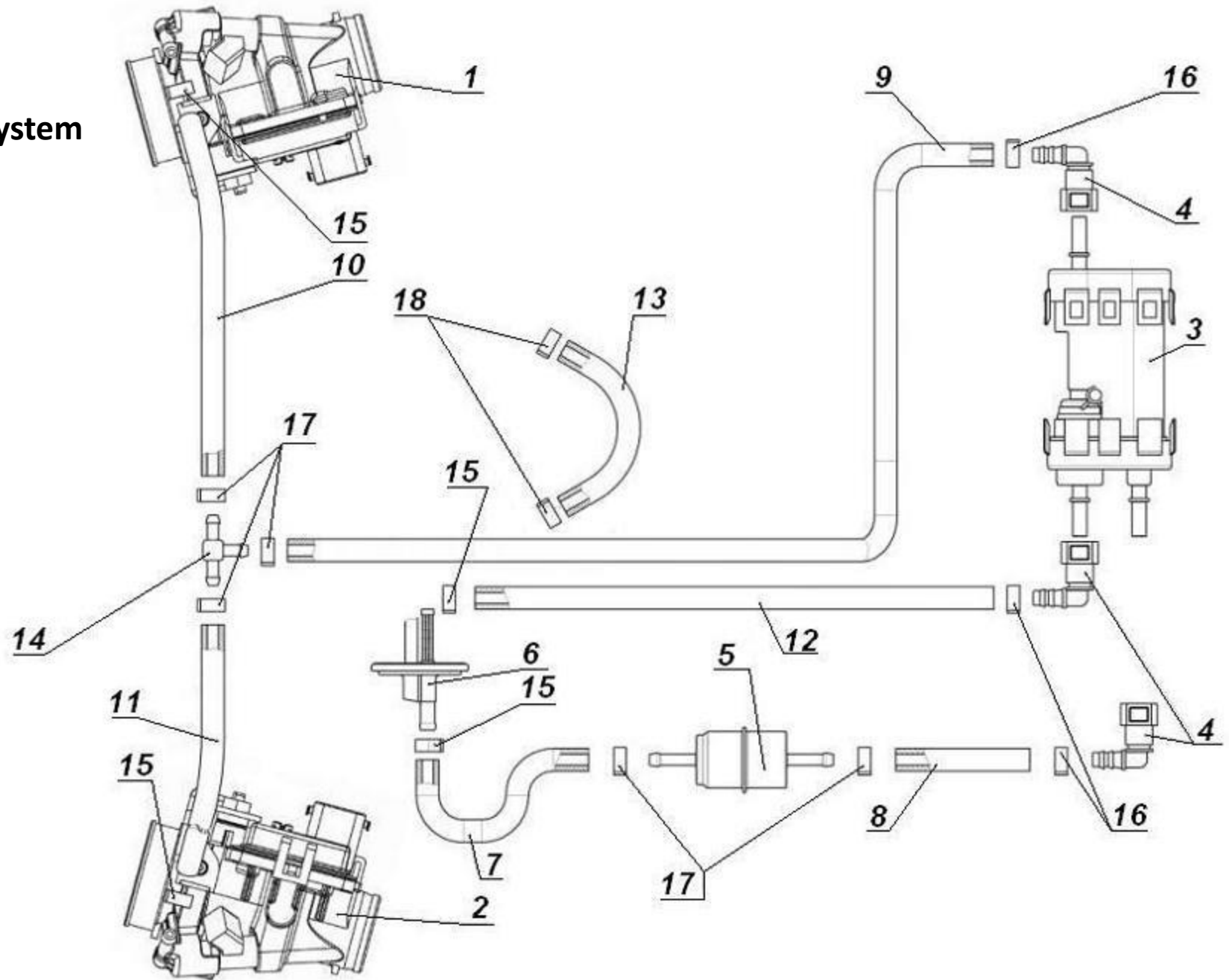




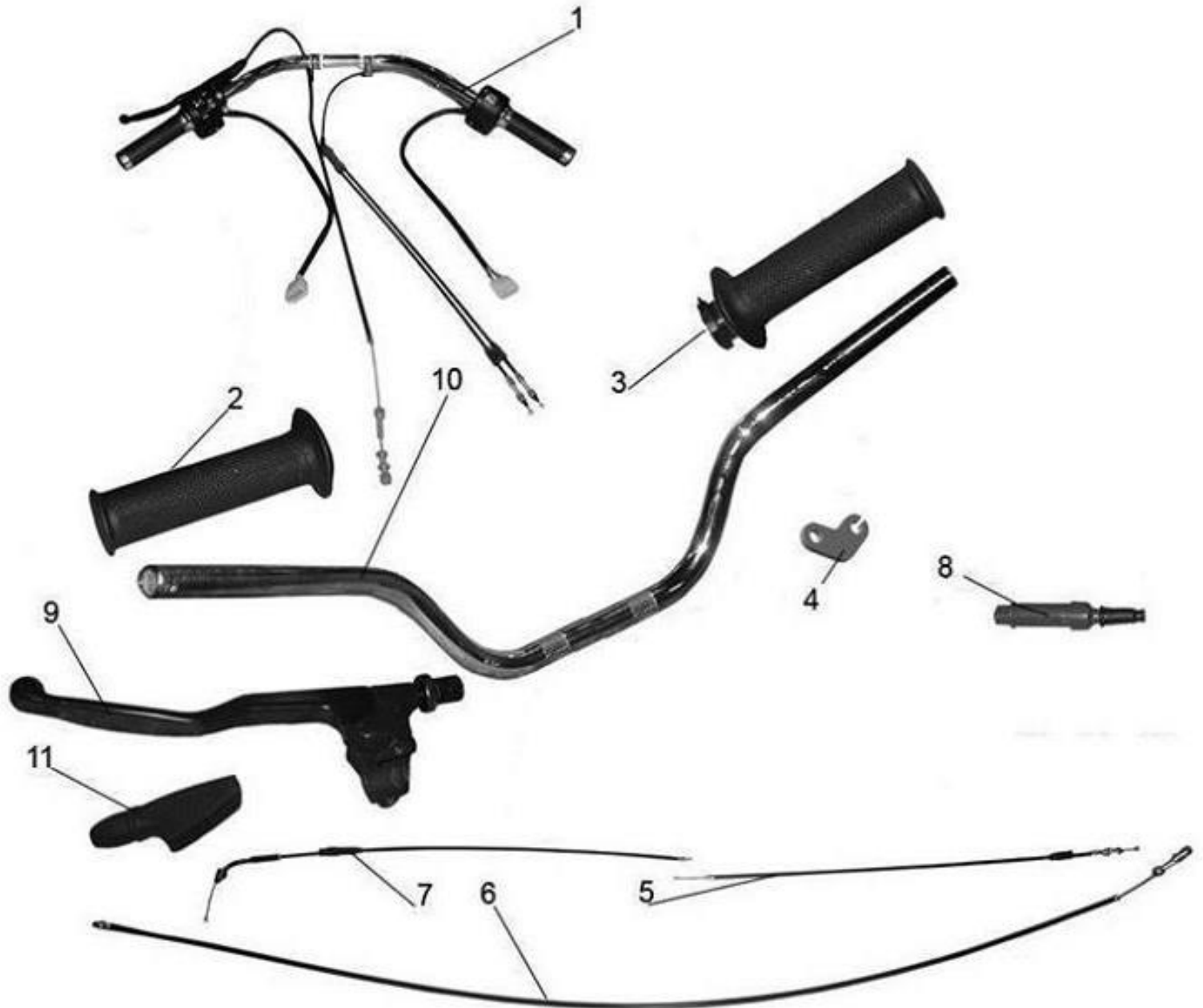
Fuel Tank



# Fuel System



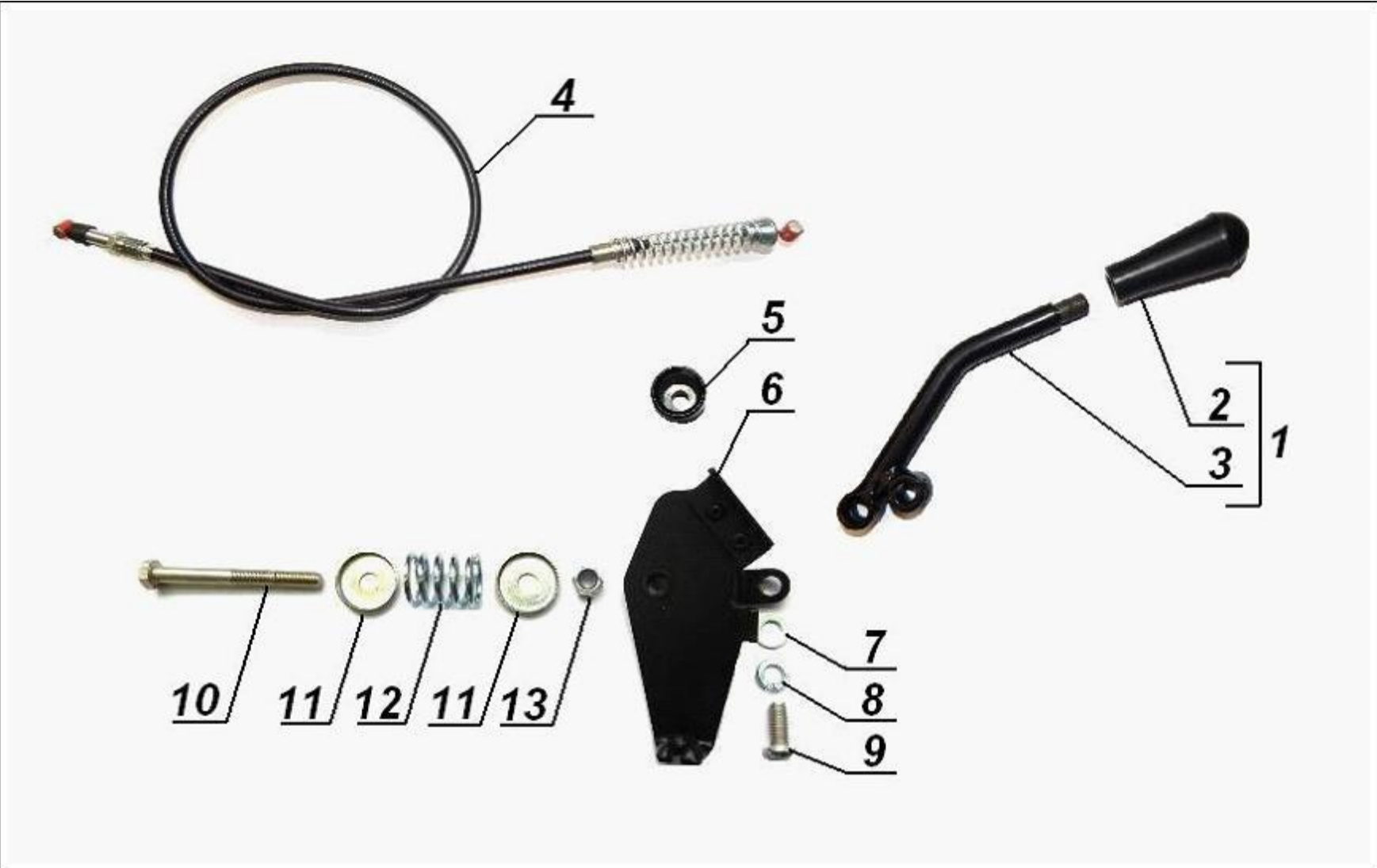
# Handlebar



# Rear Brake Linkage



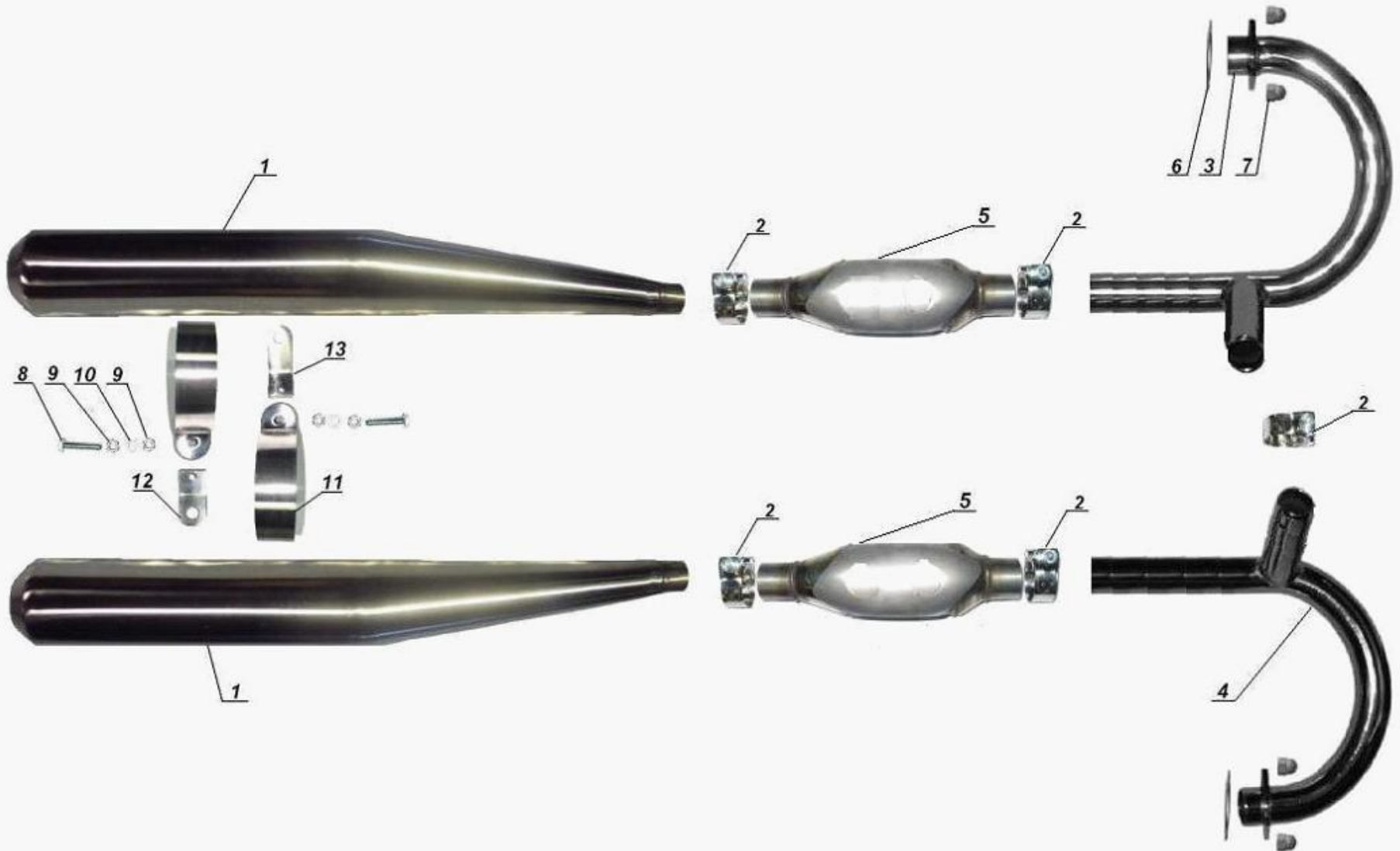
# Parking Brake



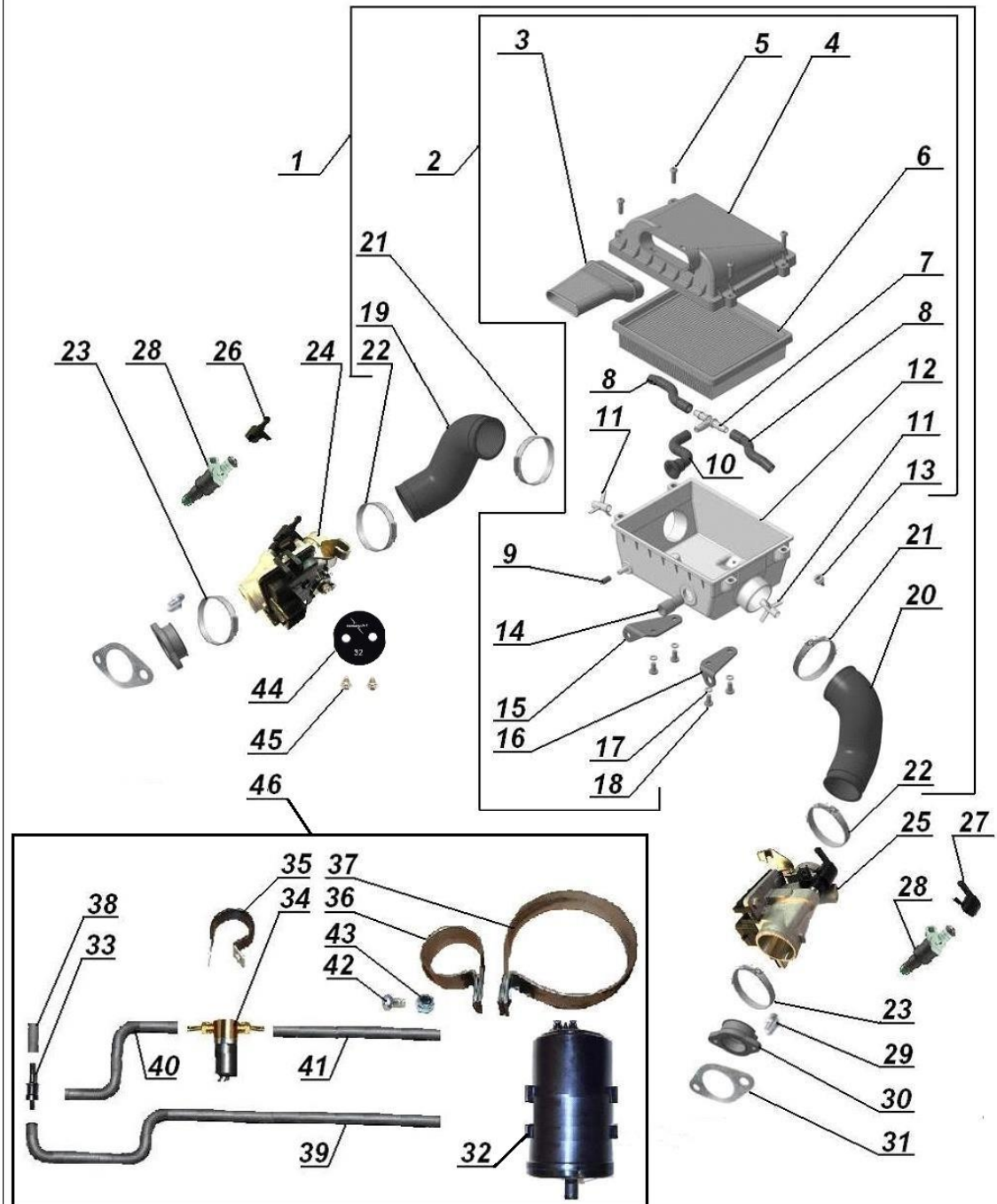
# Sidecar Brake Linkage



# Exhaust System

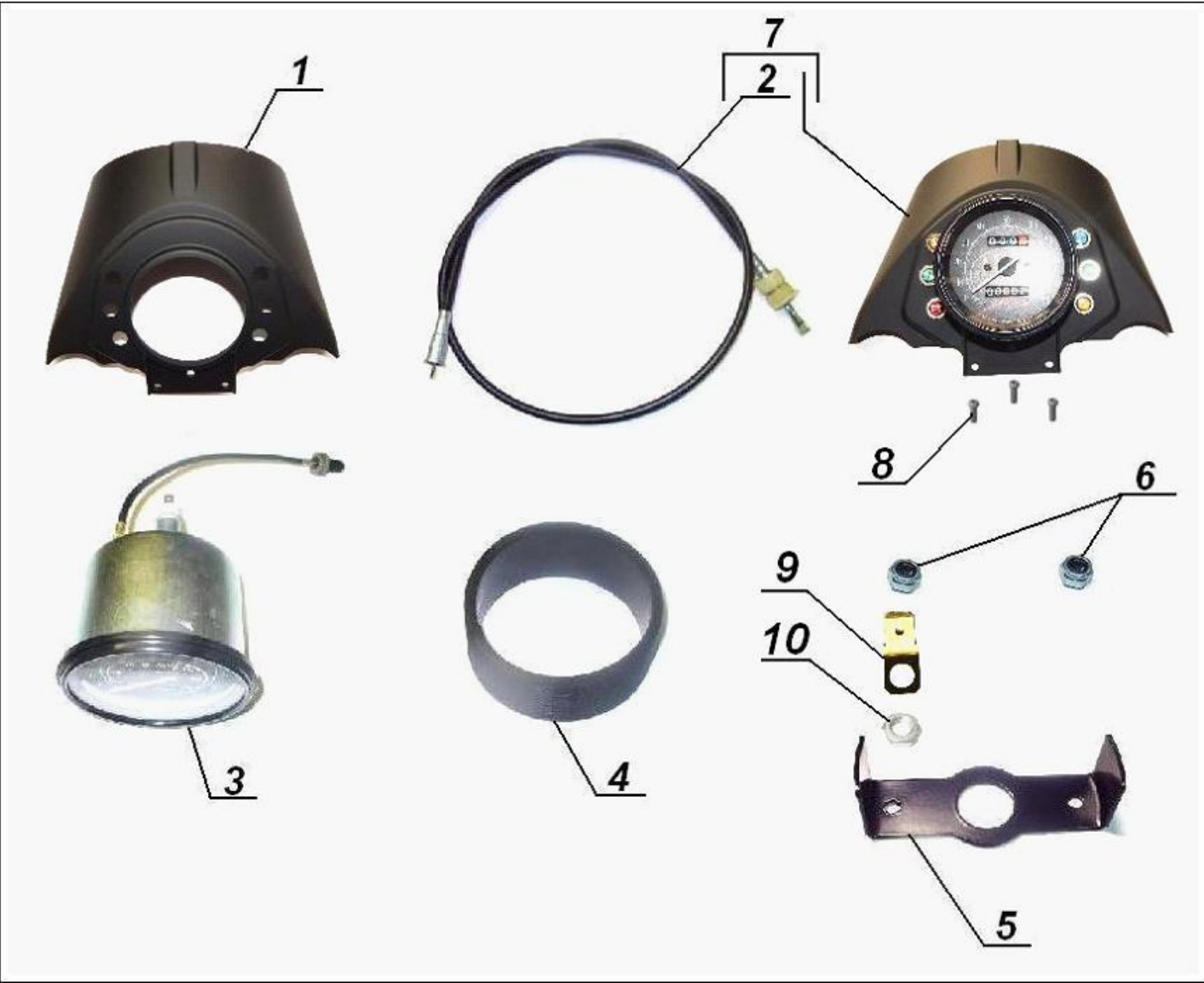


# Air Filter with Evaporative Emission Control System

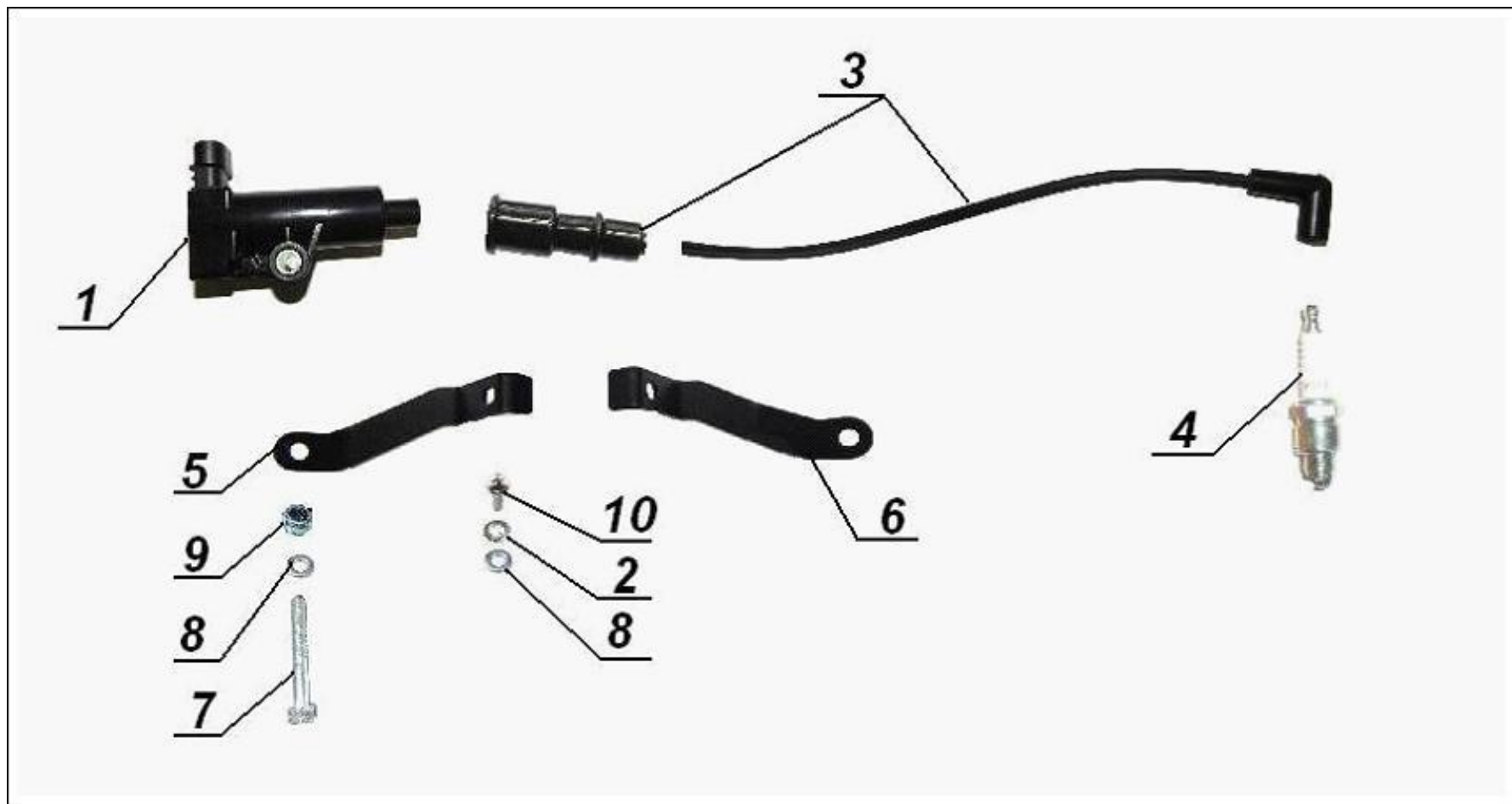




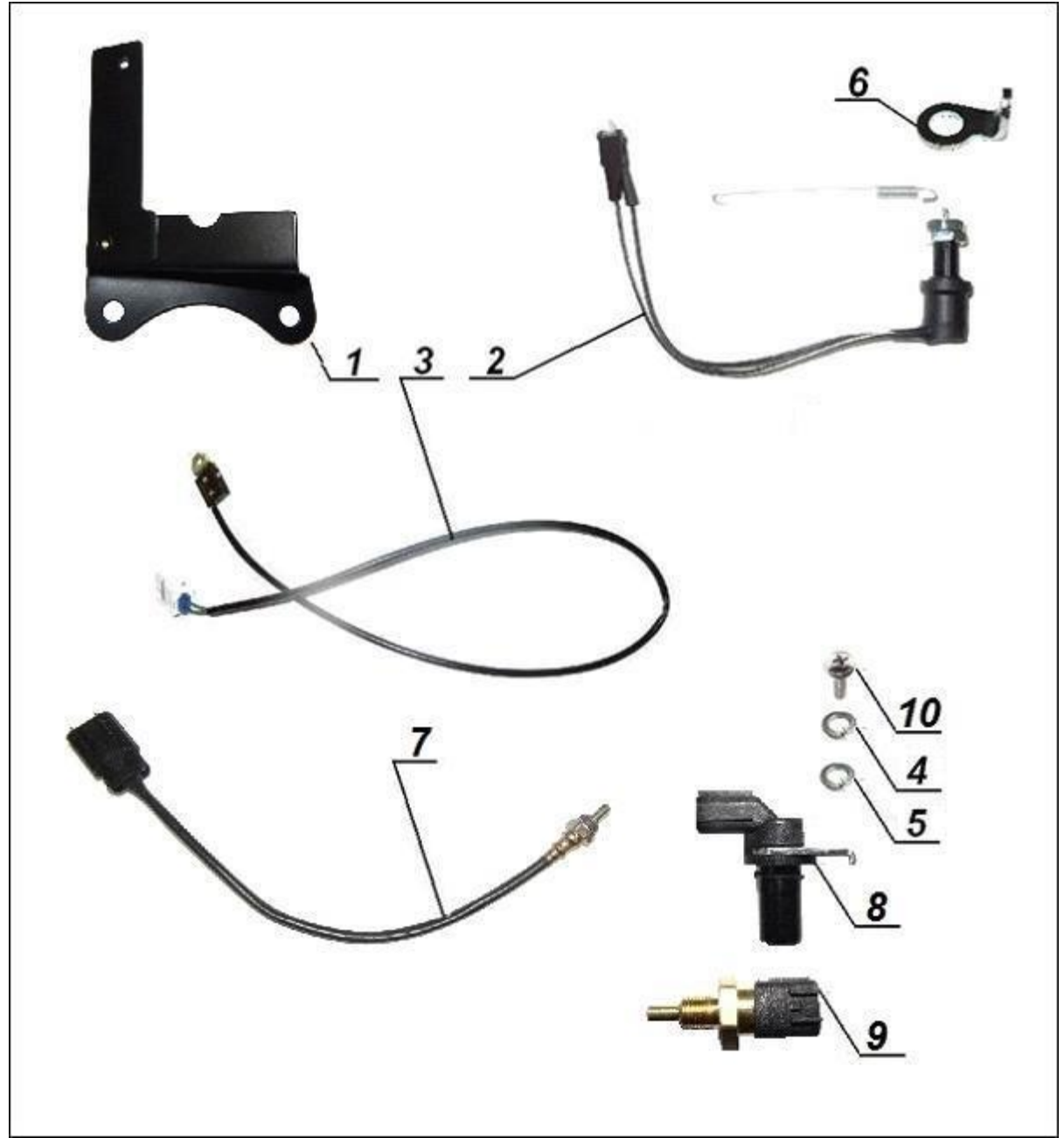
Dashboard



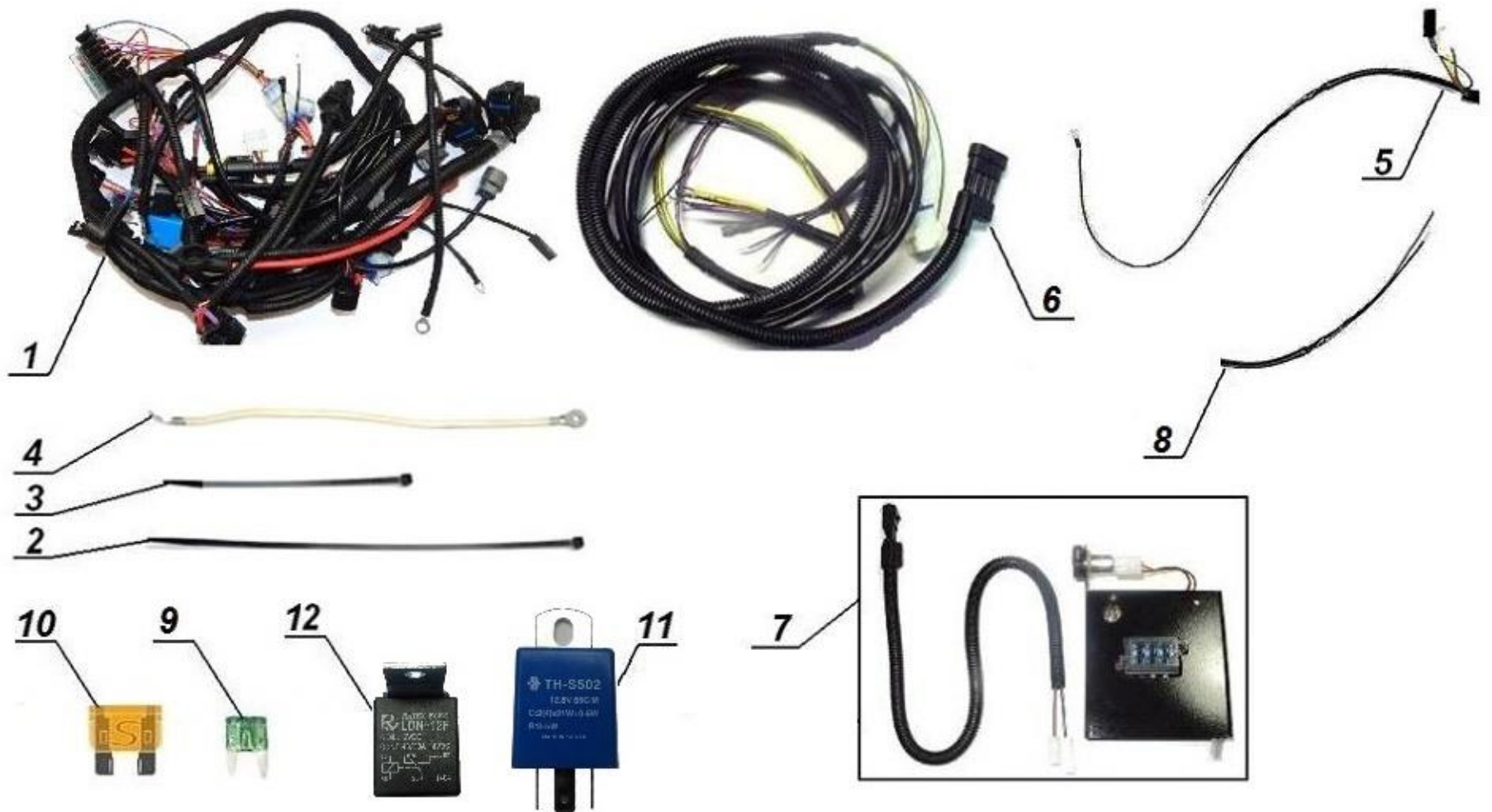
# Ignition System



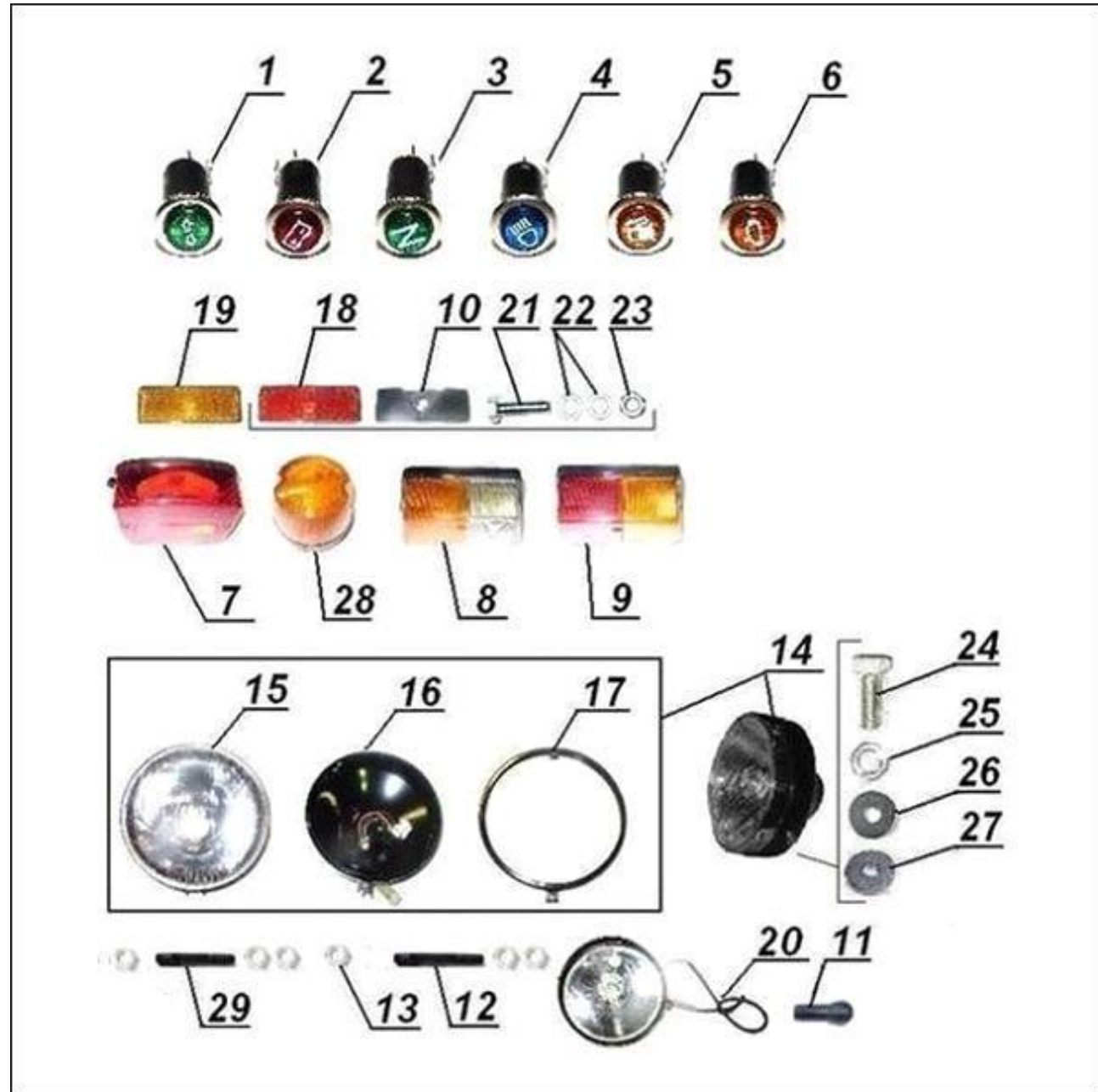
## Switches and Brackets



# Wiring Harness

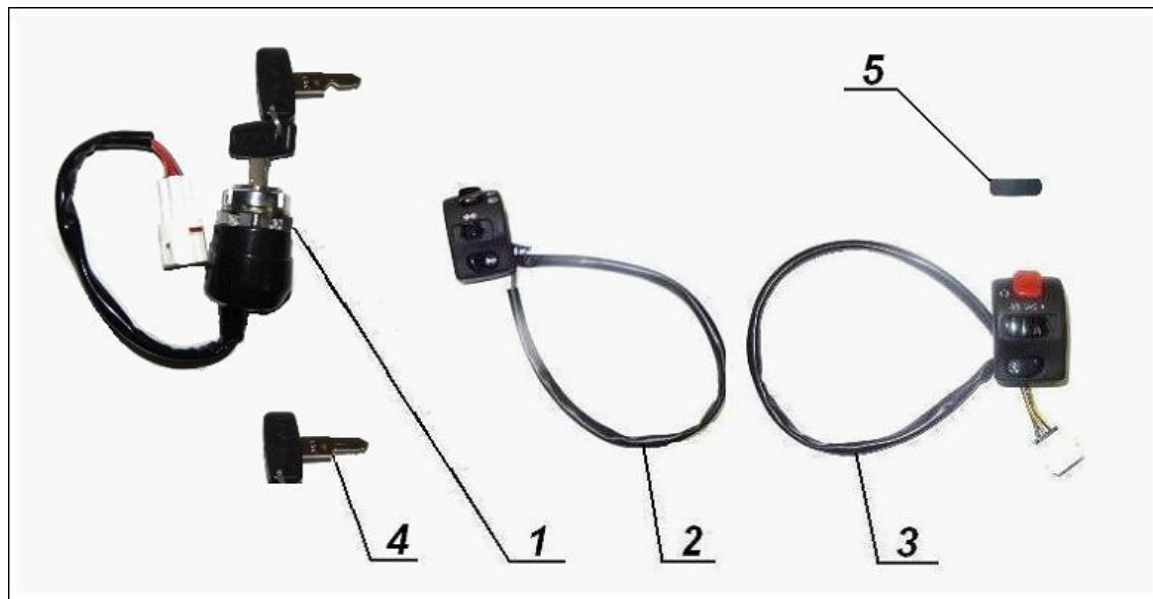


# Lights and Lighting Equipment



## Electrical Components - 2

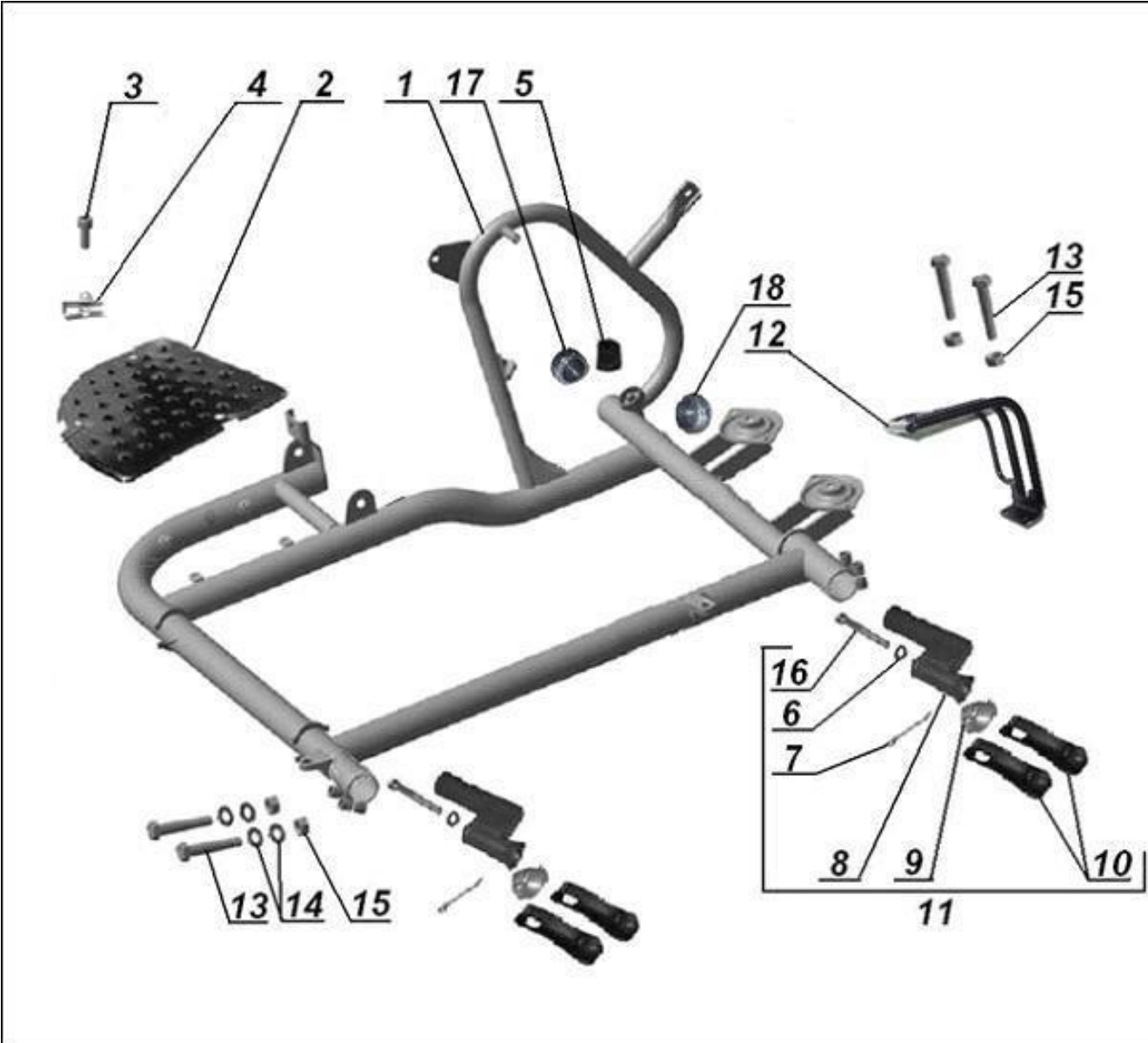
### Switches



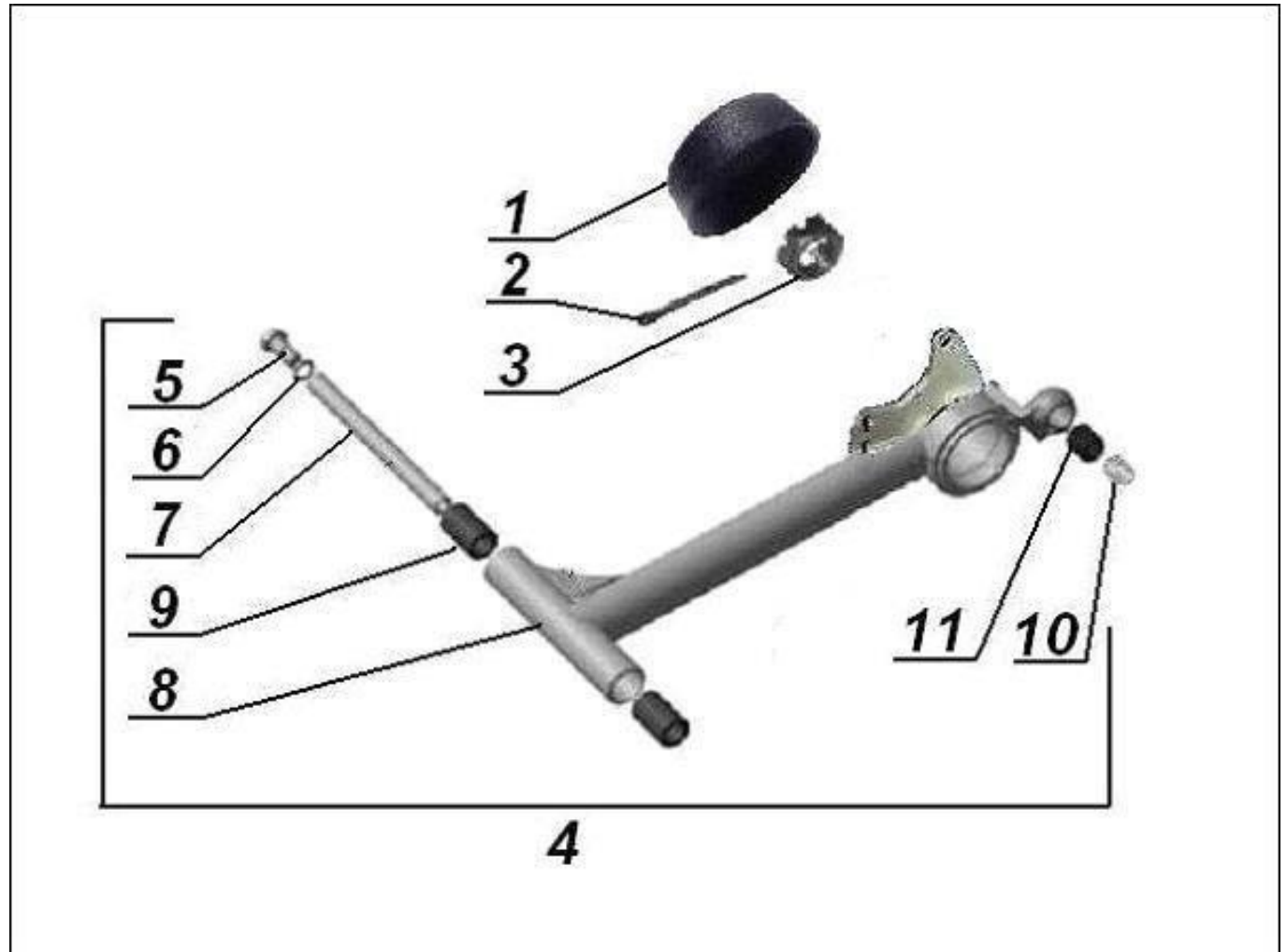
### Electricals



Sidecar Chassis

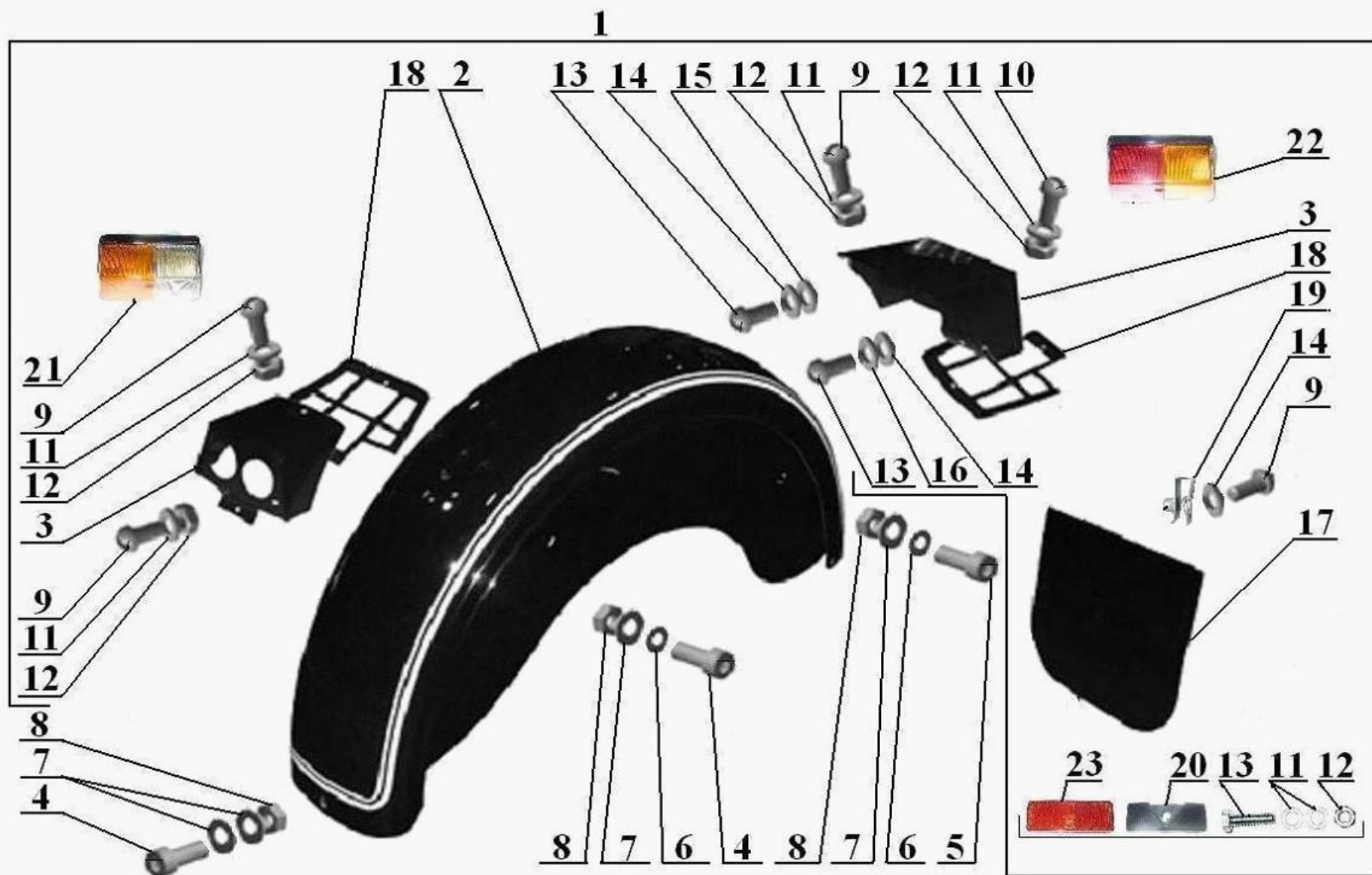


## Sidecar Swingarm

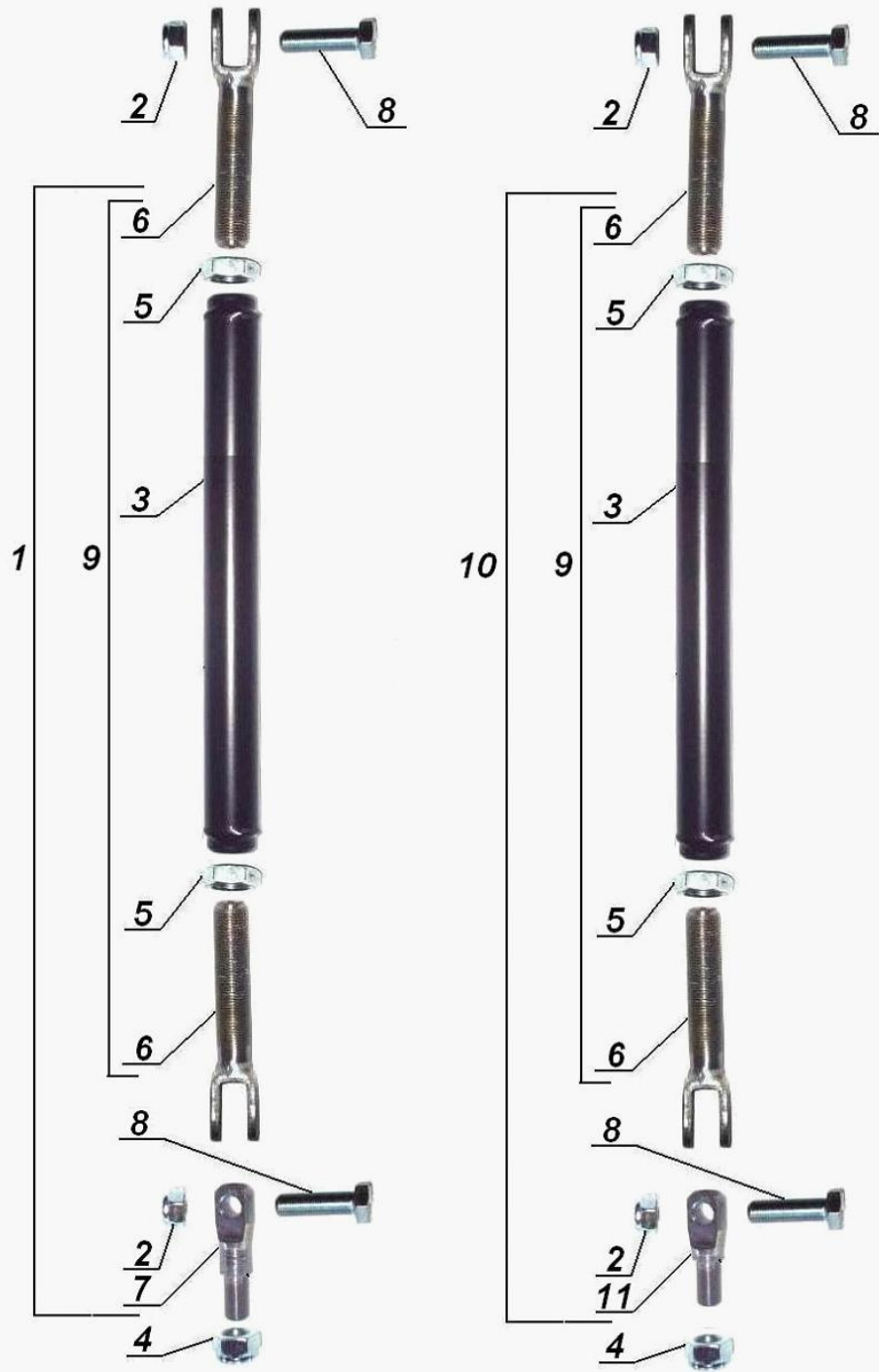




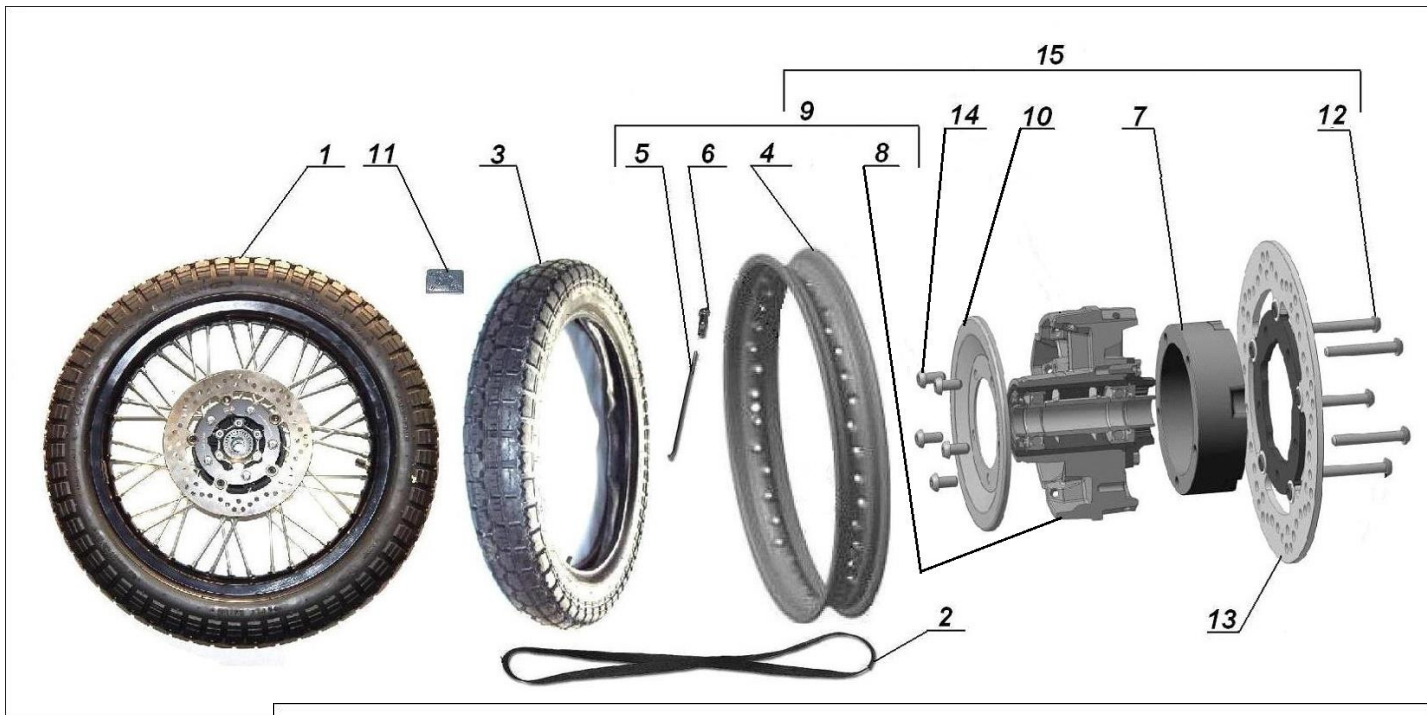
# Sidecar Fender



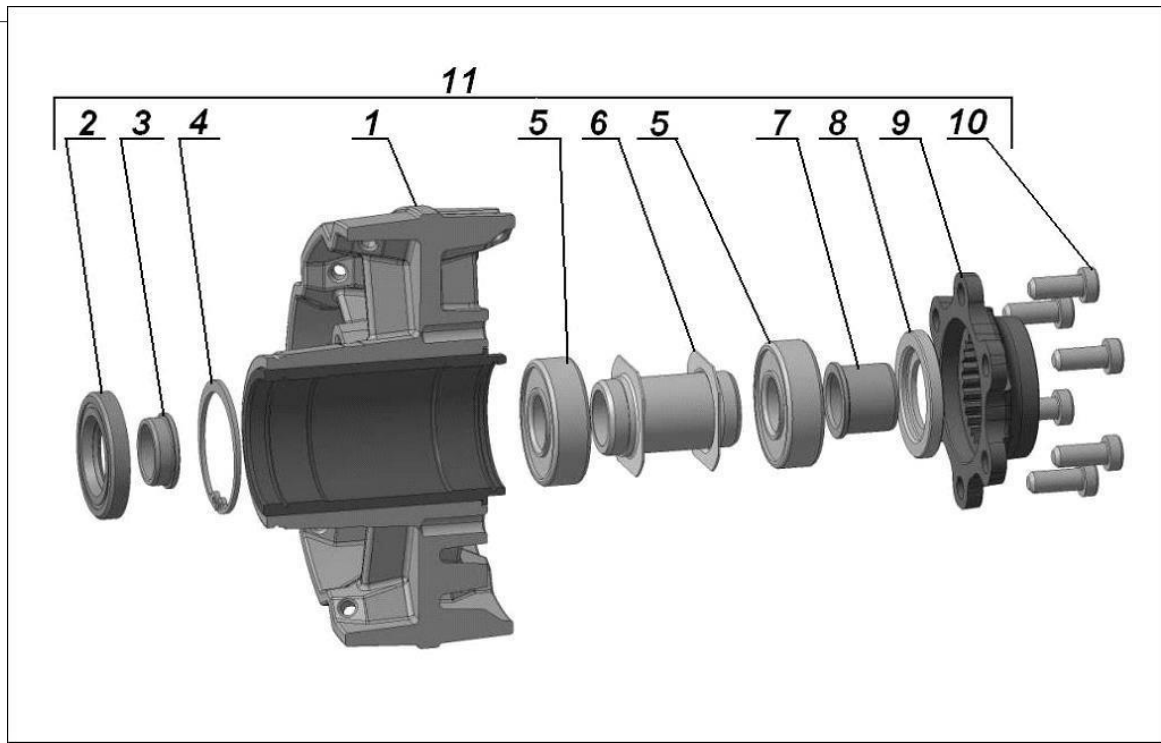
# Sidecar Prop



# Black Sidecar Wheel



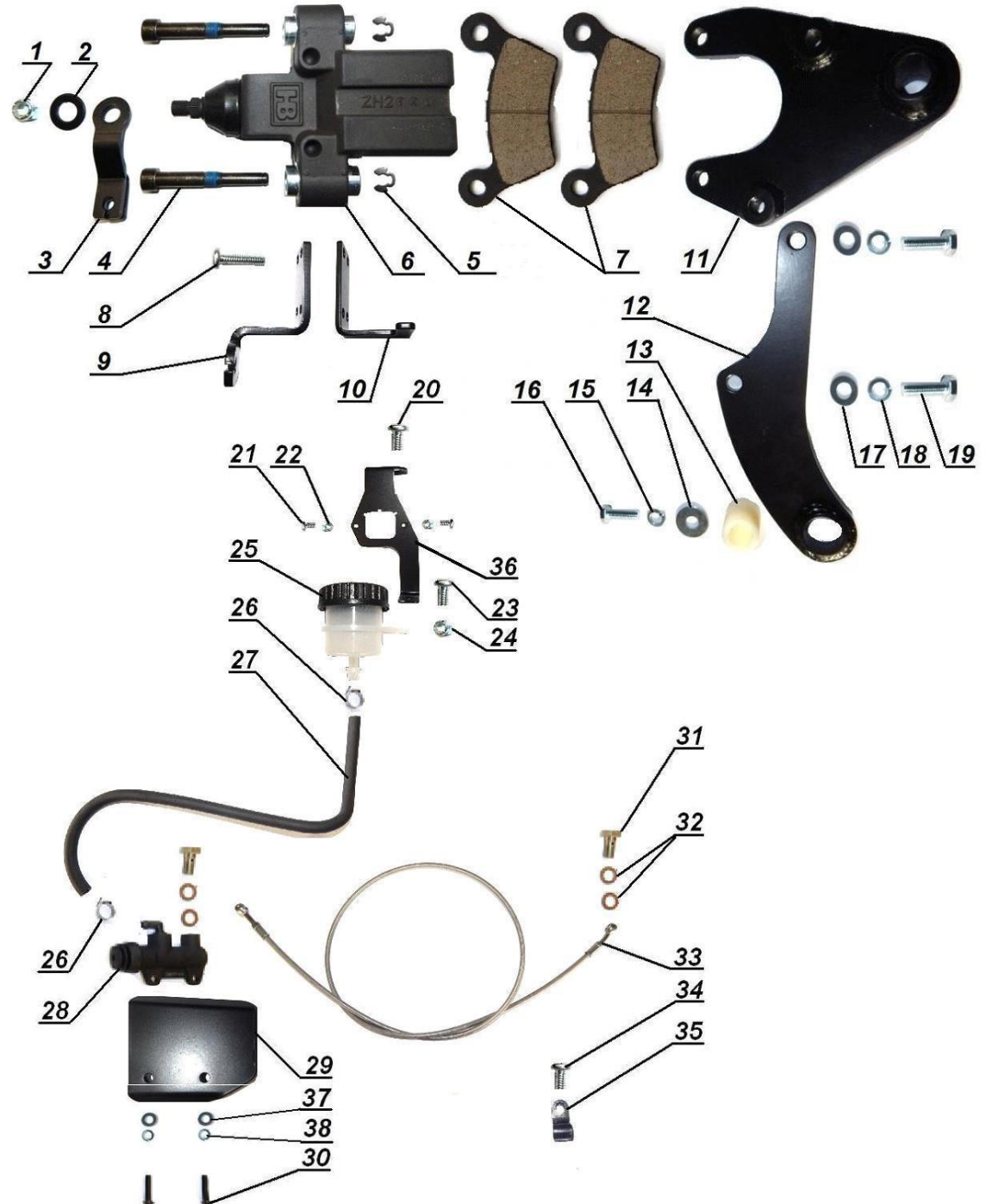
# Black Hub



# Front Wheel Brake



# Rear Wheel Brake



# Sidecar Brake

